

Tacony CFC	Hydromist Compact	
Part Number:	HC250.....	
Series:	D	
Date:	11-Jul-24	
Reference Drawing Number:	05-3427-0000, 05-3428-0000, 05-3497-0000, 05-3417-0000, 05-3421-0035, 05-3422-0500, 05-3423-0000, 05-4780-0000	
Reference Drawing Issue:	5	
Modified By:	C. Savage	
Service Parts List Issue:	5	ECN #
Description of Change:		-

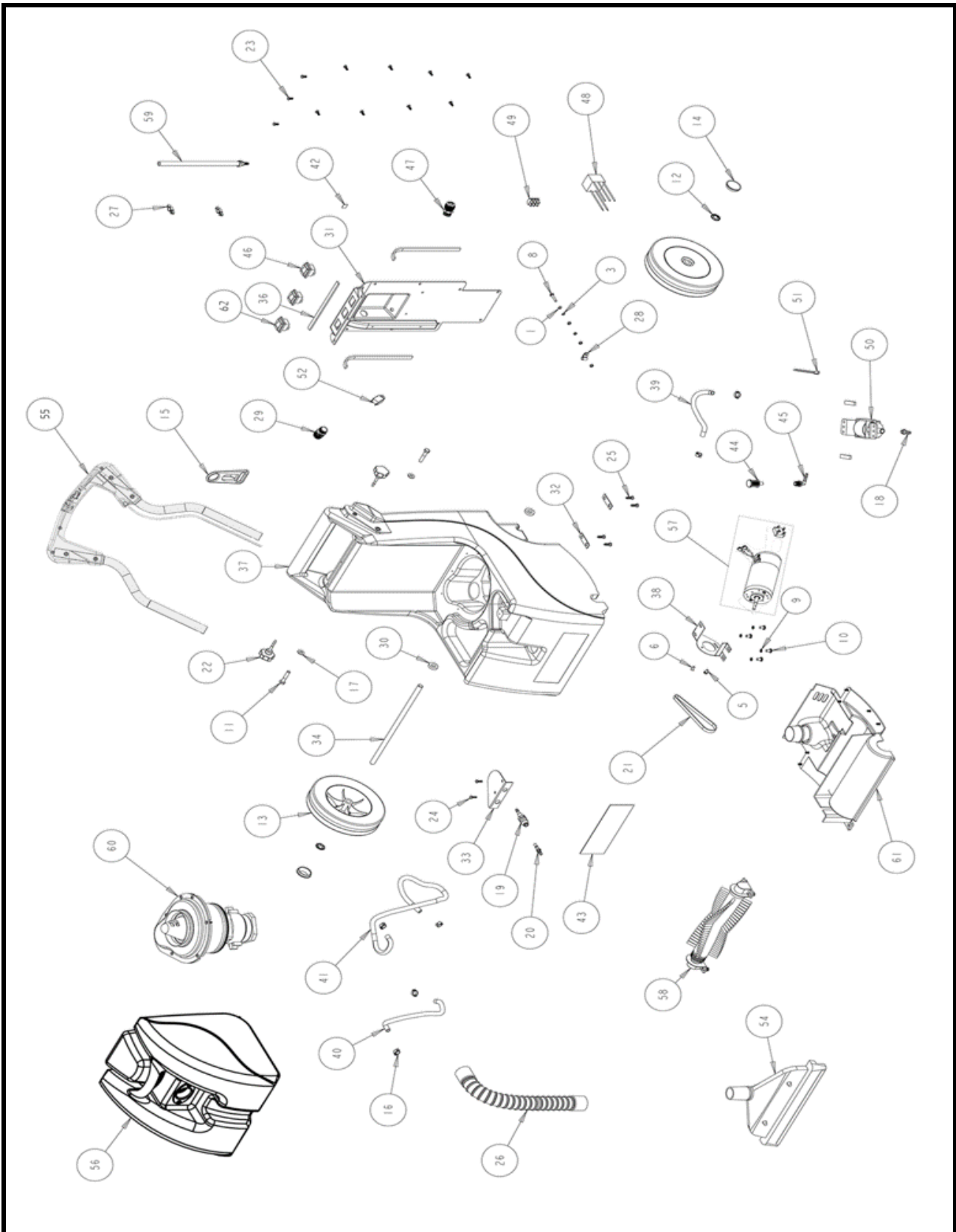
Ref. No.	Part No.	Part Description	Qty
	HC250		
1	00-0500-0501	M5 Washer Form A Z/P	1
2	00-0500-0511	M5 Single Coiled Spring Washer	1
3	00-0500-0521	M5 Internal Shakeproof	1
4	00-0500-0701	M5 Full Nut Z / P	3
5	00-0510-0011	M5X10 Pozi Pan Head Screw	2
6	00-0510-0031	M5X10 Countersunk Screw	1
8	00-0525-0011	M5X25 Pozi Pan Head Screw Zinc Bzp	1
9	00-0600-0513	M6 Single Coil Washer Stainless Steel	4
10	00-0612-0013	M6X12 Pozi Pan Head	4
11	00-0835-0125	M8X35 Ht 8.8 Hex Bolt Din931	2
12	02-0254-0000	Starlock Washer	2
13	02-3121-0000	Wheel 8"	2
14	02-3124-0000	Wheel Cap - Black	2
15	02-3152-0000	Cable Strain Relief Bracket Black	1
16	02-3381-0500	Hose Clip	6
17	02-3417-0000	HC250 Handle Spacer	4
18	02-3443-0000	1/8In Male Barb Connector Taper & O Ring	1
19	02-3445-0000	HC250 Metal Bulkhead Coupling	1
20	02-3449-0000	Male Coupling Connector	1
21	02-3455-0000	HC250 Drive Belt	1
22	02-3460-0000	Handle Lock Knob	2
23	02-3465-0000	Roto Small Taper	11
24	02-3466-0000	Wn1413Kn50 X 16 Screw S/Tap	2
25	02-3467-0000	Kb60 X 18 Pozi Pan Pt Screw Z/P	4
26	02-3468-0000	Hc250 Vac Pick Up Hose	1
27	02-3478-0000	Hose Clip	2
28	02-3708-0000	P Clip	1
29	02-4622-0000	Cable Gland	1
30	03-5736-0000	Wheel Axle Spacer	2
31	03-5987-0500	HC250 Rear Electrical Panel (Printed)	1

32	03-5991-0000	Axle Retaining Plate	2
33	03-5992-0000	HC250 Fluid Coupling Bracket - Hc250	1
34	03-6000-0500	HC250 Axle	1
36	03-6009-0000	Gasket Strip	1.6
37	03-6013-0067	HC250 Solution Tank	1
38	03-6038-0000	HC250 Motor Mounting Bracket	1
39	03-6041-0000	Pump Feed Hose	1
40	03-6043-0000	Pump Outlet Hose	1
41	03-6044-0000	Sprayjet Hose	1
42	03-6185-0000	Earth Point Label	1
43	03-6668-0000	Hydromist Compact Label	1
44	03-8302-0000	HC250 Solution Tank Filter	1
45	03-8323-0000	1/4" Bsp Metal Elbow	1
46	04-3207-0000	Rocker Switch With Cover	3
47	04-3212-0000	Cable Gland	1
48	04-3221-0000	HC250 Suppressor	1
49	04-3332-0000	Terminal Block	1
50	04-3393-0000	Pump With Mounts	1
51	04-3396-0000	Thermal Overload	1
52	04-3397-0000	0.7 Amp Cutout	1
54	05-3417-0000	Pick Up Assembly	1
55	05-3419-0000	Handle Assy	1
56	05-3421-0035	Recovery Tank Assembly	1
57	05-3422-0000	Brush Motor Assembly	1
58	05-3423-0000	Brush Drive Assy	1
59	05-3427-0000	Drain Hose Assembly	1
60	05-3497-0000	HC250 Vac Motor Assembly	1
61	05-3728-0000	HC250 Bottom Cover Kit	1
Not Shown	04-3310-0000	Power Cord Uk - 13 Amp With Plug	1
Not shown	04-3055-0153	Power Cord Euro	1
Not Shown	05-3409-0000	HC250 Wiring Kit 230V	1

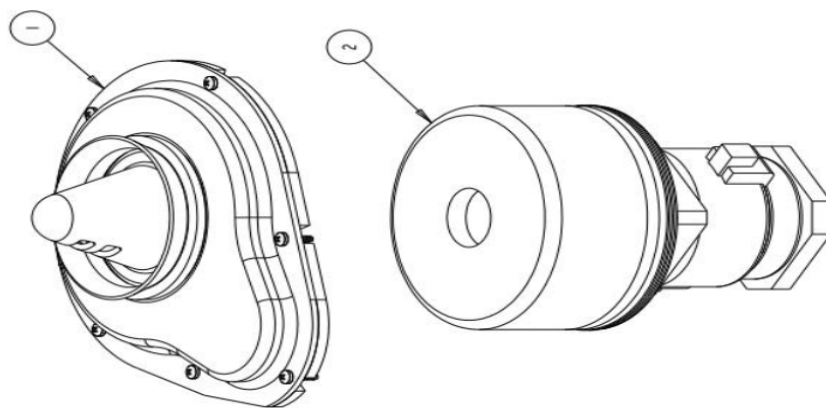
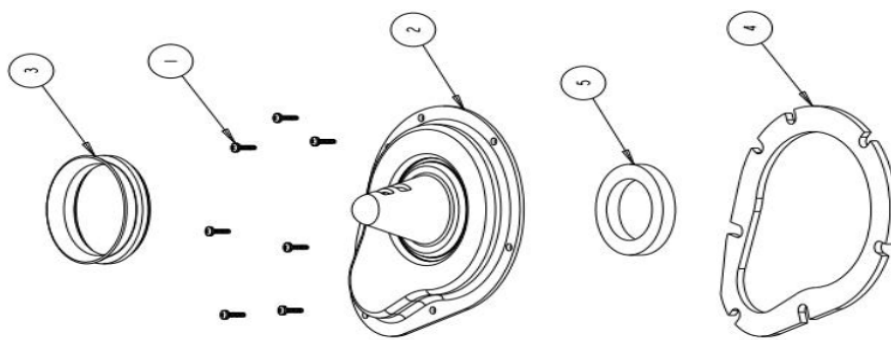
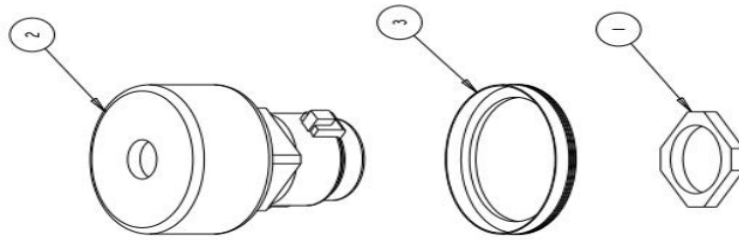
Ref. No.	Part No.	Part Description	Qty
	05-3427-0000		
1	02-3381-0500	Hose Clip	1
2	02-3449-0000	Male Coupling Connector	1
3	03-6423-1000_260	Drain Hose - 260mm	1
Ref. No.	Part No.	Part Description	Qty
	05-3728-0000		
1	02-3452-0000	Spray Nozzle Retaining Nut	1
2	02-3465-0000	Roto Small Tapper	7
3	02-3467-0000	Kb60 X 18 Pozi Pan St Screw Z/P	3
4	02-3487-0000	Spray Nozzle	1
5	03-6010-0000	Nitrile / Pvc Gasket	2
6	03-6642-0000	HC250 Brush Cavity Guard	1
7	03-6653-0000	HC250 Edge Seal	1
8	03-6666-0500	HC250 Moulded Bottom Cover	1
9	03-8300-0000	HC250 Moulded Exhaust Port	1
Ref. No.	Part No.	Part Description	Qty
	05-3497-0000		
1	05-3418-0000	Vac Motor Cover Assembly	1
2	05-3502-0000	Vac Motor Assembly	1
1	02-3466-0000	Wn1413Kn50 X16 Screw S/Tap	7
2	03-5988-0000	HC250 Vac Motor Cover	1
3	03-6053-0000	Vacuum Lip Seal	1
4	03-6132-0000	Vac Motor Cover Outer Seal	1
5	03-6133-0000	HC250 Vac Motor Cover Inner Seal	1
1	03-6692-0000	HC250 Vac Motor Inner Seal	1
2	04-3389-0000	Ametek Vac Motor	1
3	03-6107-0000	Vac Motor Rubber Seal	1
Ref. No.	Part No.	Part Description	Qty
	05-3417-0000		
1	00-0800-0513	M8 Single Coil Spring Washer St/St	2
2	00-0800-0553	M8 Washer St/Stl	2
3	00-0825-0113	M8 X25 Hex Hd Bolt St/St	2
4	03-5998-0000	HC250 Pick Up Strip	2
5	03-6015-0000	HC250 Pick Up Shoe	1

Ref. No.	Part No.	Part Description	Qty
	05-3421-0035		
1	00-0500-0553	M5 Heavy Washer Form A St/St	4
2	00-0500-0723	M5 Nyloc Nut St/St	1
3	00-0500-0763	M5 Dome Nut St/St	1
4	00-0512-0013	M5 X 12 Pozi Pan Head Screw St/St	5
5	00-0516-0013	M5 X 16 Pozi Pan Head Screw St/St	1
6	02-3525-0000_265	Chain 1.6Mm X 18Mm Steel - 265Mm Long	1
7	02-3527-0000	Spacer 9.5Mm Dia X 3Mm	1
8	02-3778-0000	O Ring	1
9	03-5989-0000	Vacuum Lid	1
10	03-8301-0000	HC250 Recovery Tank Filter	1
11	03-8325-0000	HC250 Vacuum Lid Seal	1
12	03-8338-0000	HC250 Air Inlet Baffle	1
13	03-8339-0000	HC250 Air Inlet Cap	1
14	03-8342-0000	HC250 Recovery Tank - Malish	1
15	03-8399-0000	HC250 Air Inlet Gasket	1
16	05-3519-0000	Lid Chain Assembly	1
17	05-3717-0000	Recovery Tank Lid Assembly	1
18	05-3793-0000	Recovery Tank Ld Assembly - Complete	1
Ref. No.	Part No.	Part Description	Qty
	05-3422-0500		
1	00-0403-0091	Grub Screw M4 X 3 St/St	1
2	02-3454-0000	HC250 Motor Pulley	1
3	04-4022-0000	Brush Motor	1
4	04-3409-0000	Rectifier	1
5	02-3736-0000	Adhesive Tape	30CM
Not shown	02-3465-0000	KB50x12 Pozi Pan Pt Screw St/St	4
Not shown	02-3533-0000	M4x12x1 Thick AZ StSt304 Washer	4

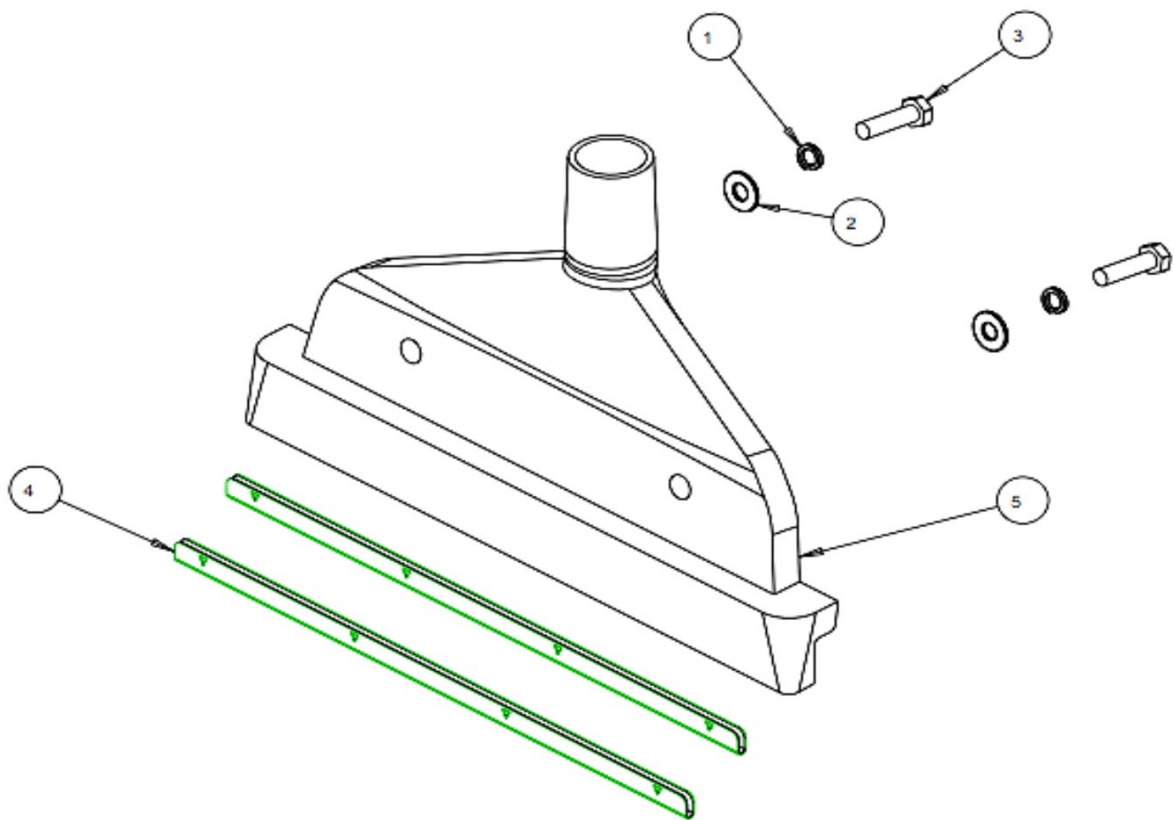
Ref. No.	Part No.	Part Description	Qty
	05-3423-0000		
1	00-0500-0513	M5 Single Coil Spring Washer St/St	4
2	00-0500-0533	M5 Heavy Washer Form A St/St	4
3	00-0512-0013	M5 X 12mm Pozi Pan Hd Screw St/St	2
4	00-0606-0171	Grub Screw M6 X 6 Socket Head	1
5	02-3433-0000	Adjustable Arm Wheel Side Spacer	1
6	02-3453-0000	HC250 Brush Pulley	1
7	02-3469-0000	Nylon Spacer	1
8	02-3945-0000	Pulley End Spacer	1
9	03-5995-0000	HC250 Brush Assembly	1
10	03-6654-0000	HC250 Brush Axle Spinner	1
11	03-8298-0000	HC250 Moulded Bearing Housing	1
12	03-8299-0000	HC250 Moulded Bearing Protector	1
63	00-0516-0013	M5 X 16Mm Pozi Pan Hd Screw St/St	2
Ref. No.	Part No.	Part Description	Qty
	05-4780-0000		
1	90-0882-0000	Top Handle Front	1
2	90-0883-0000	Top Handle Rear	1
3	90-0898-0000	Lever Button Pump + Spring Water Lever	1
4	90-0832-0000	Switch Cable Assy Ca-06- (S4 To X4)	1
5	90-0852-0000	Crph Self Tapping Screw - Ss304 - 3.5 X 25	8
6	90-0829-0000	C8 Connector 2Way	1
7	05-4776-0000	Handle Tubes	2
8	04-4039-0000	Drop Lead	1



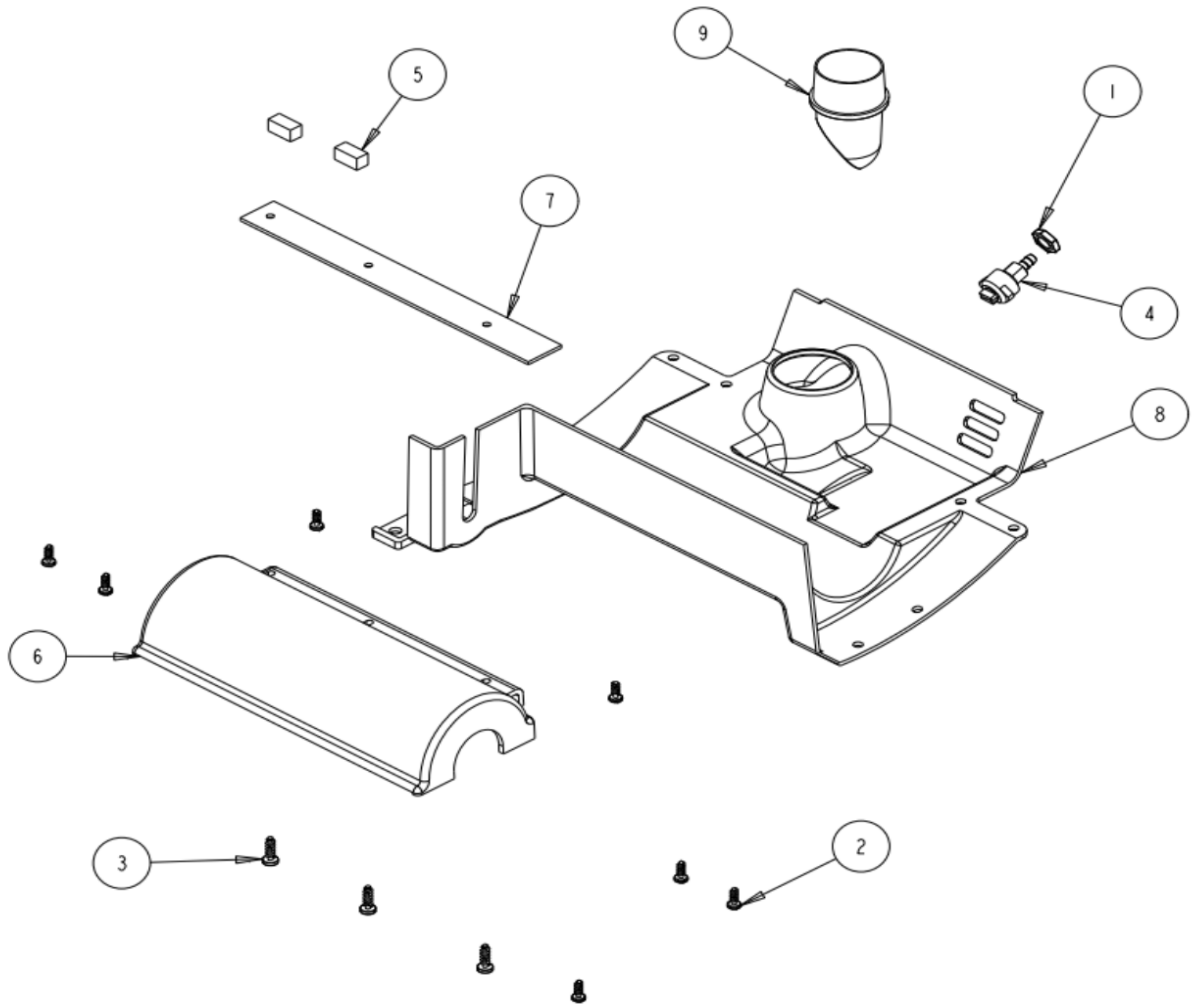
Tacony CFC			
Drawing Number:	HC250		
Machine	HC250		
Date:	10/07/2023	Description of Change	ECN No.
Drawing Issue:	6		
Modified By:	C. SAVAGE		



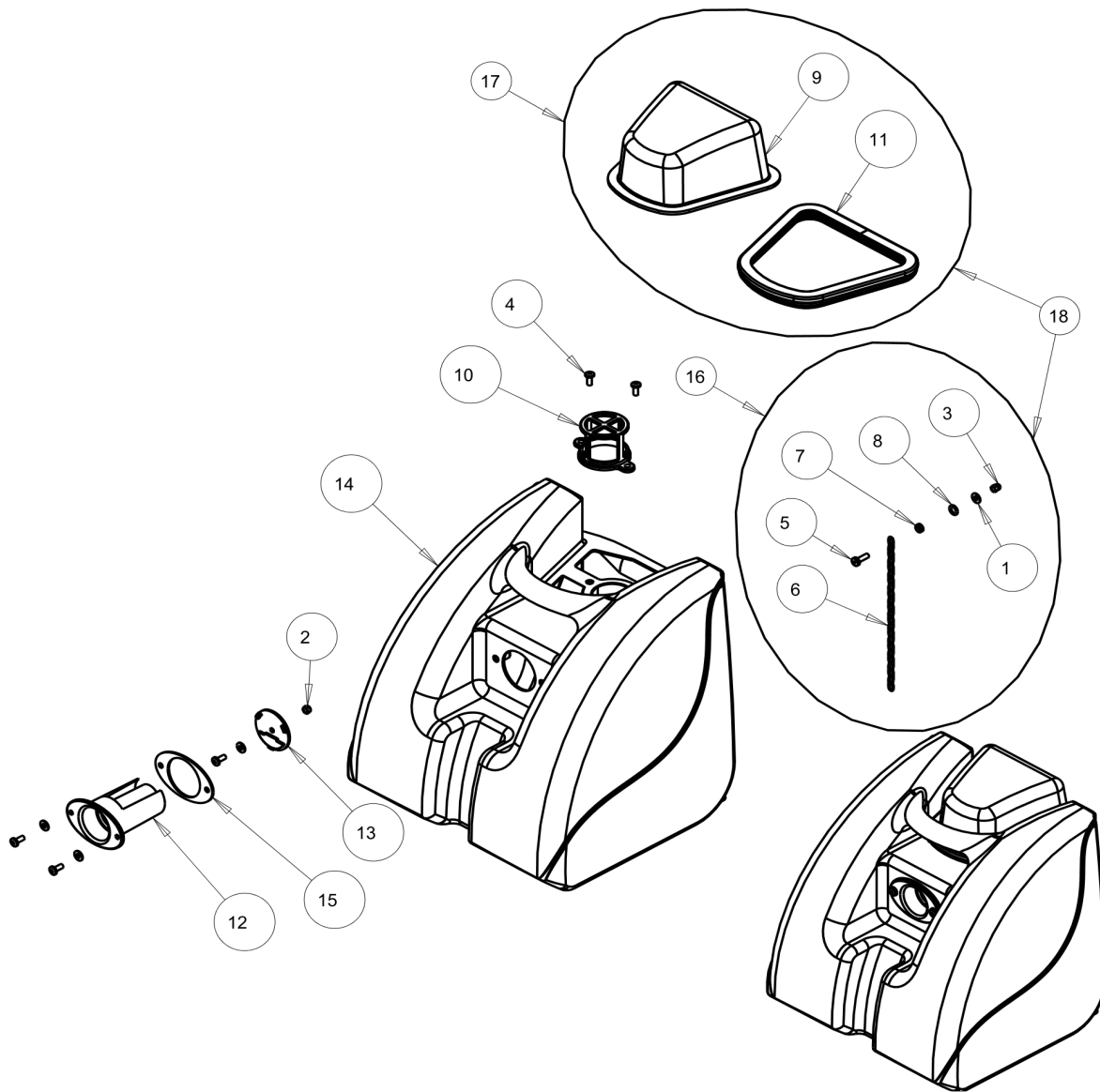
Tacony CFC			
Drawing Number:	05-3497-0000		
Machine	HC250		
Date:	10/07/2023	Description of Change	ECN No.
Drawing Issue:	1		
Modified By:	J. CLARKE		



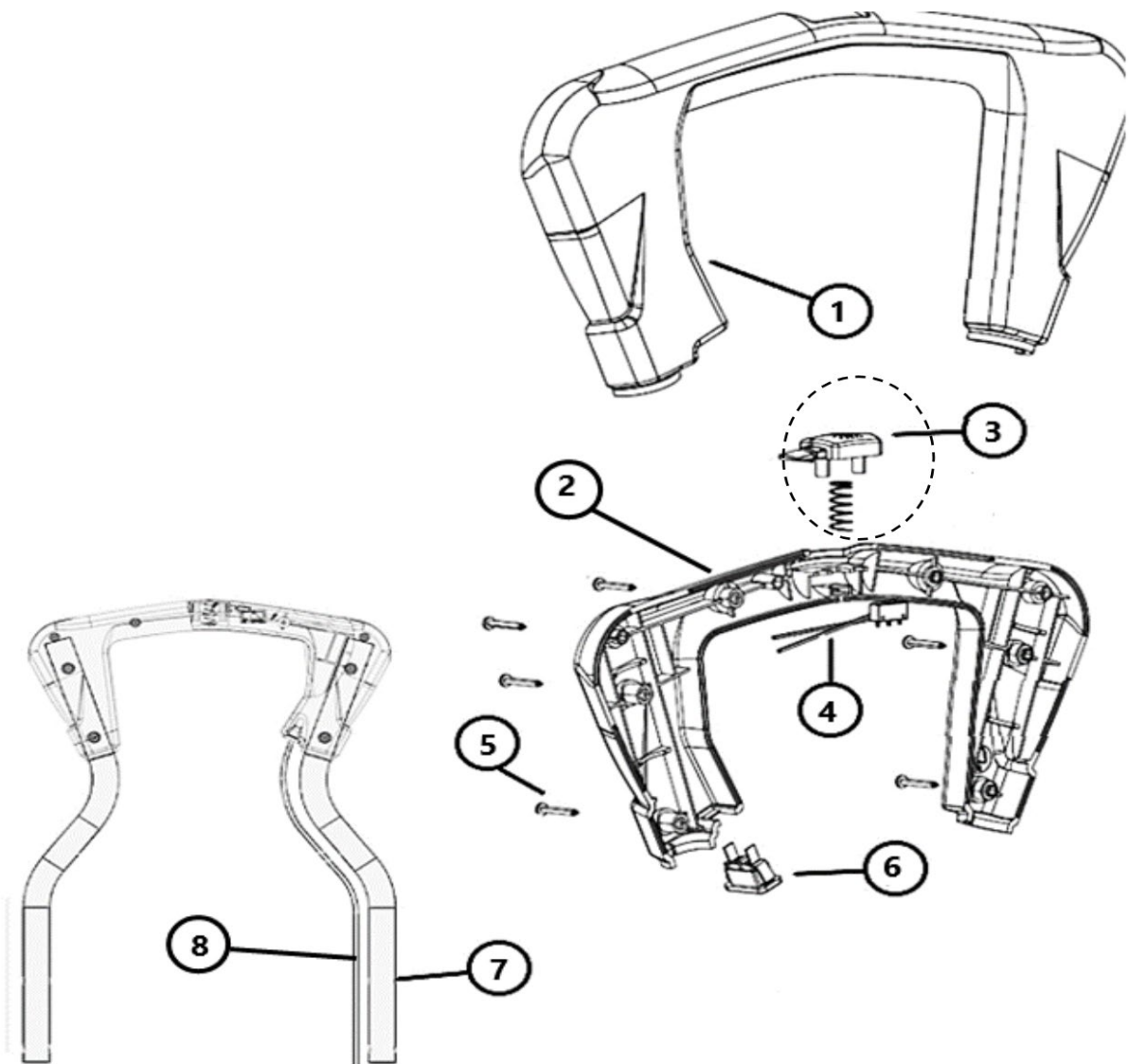
Tacony CFC			
Drawing Number:	05-3417-0000		
Machine	HC250		
Date:	10/07/2023	Description of Change	ECN No.
Drawing Issue:	1		
Modified By:	J. CLARKE		



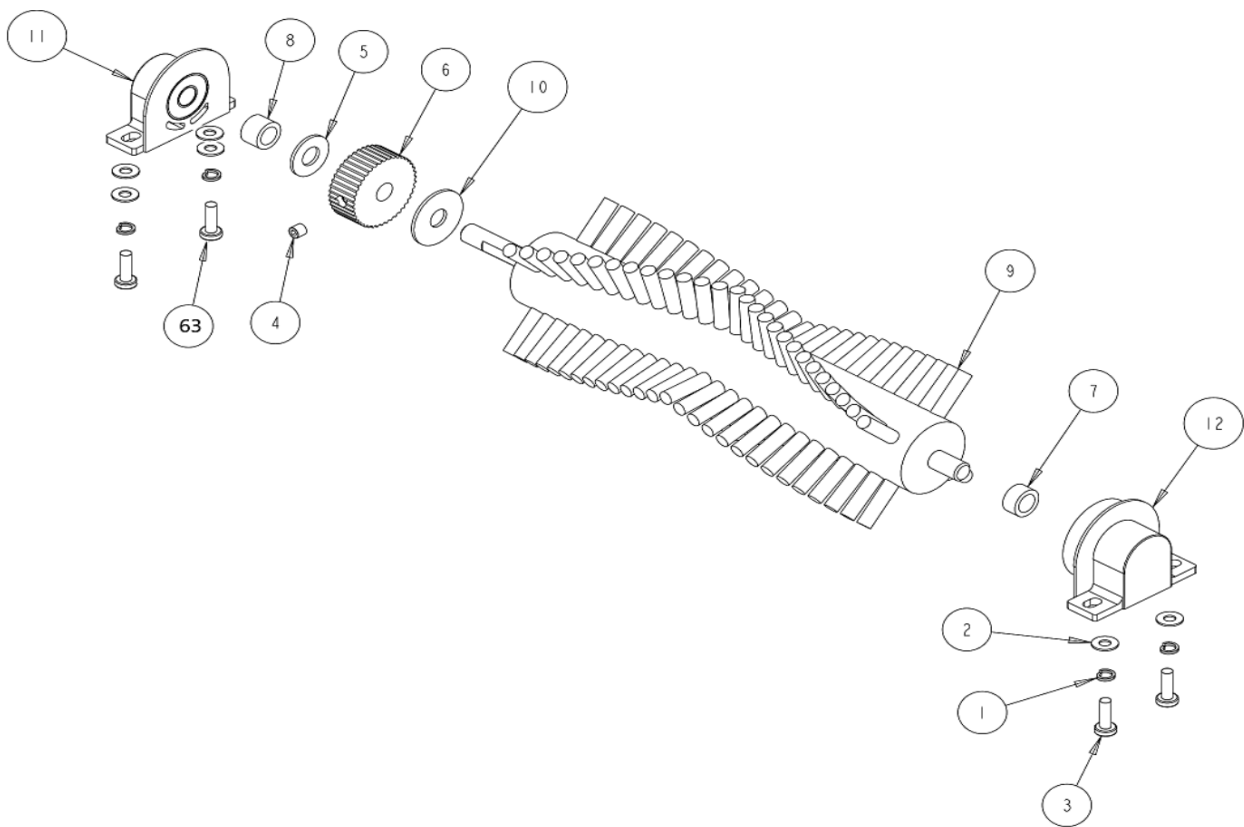
Tacony CFC			
Drawing Number:	05-3728-0000		
Machine	HC250		
Date:	10/07/2023	Description of Change	ECN No.
Drawing Issue:	1		
Modified By:	J. CLARKE		



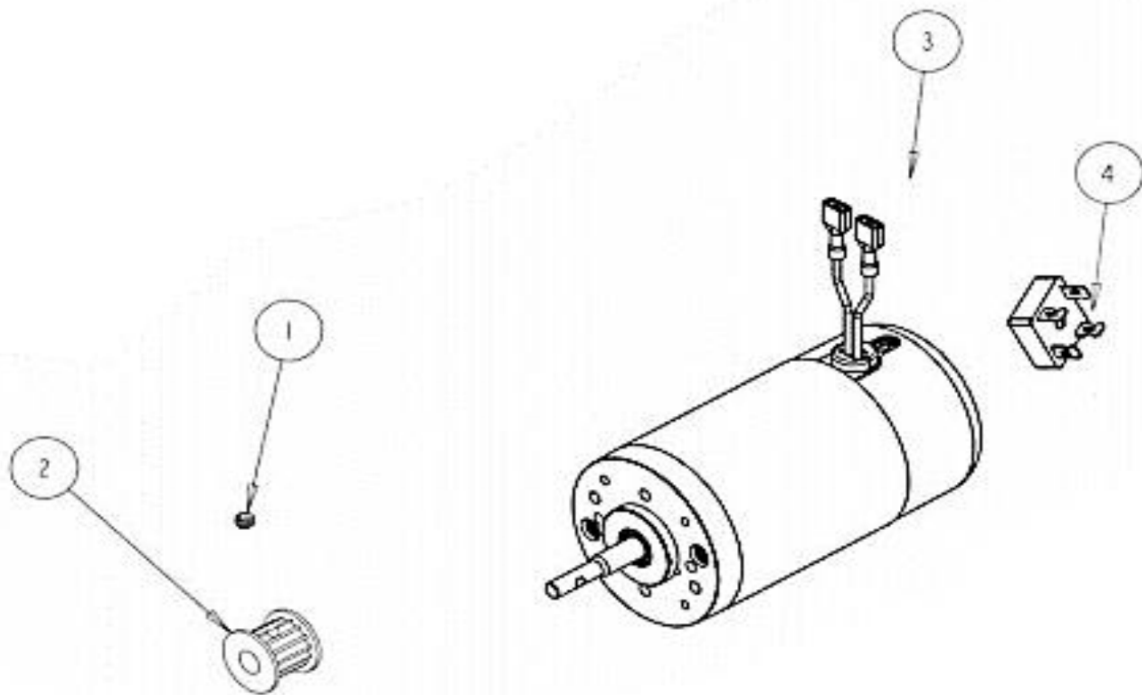
Tacony CFC			
Drawing Number:	05-3421-0035		
Machine	HC250		
Date:	10/07/2023	Description of Change	ECN No.
Drawing Issue:	2		
Modified By:	J. CLARKE		



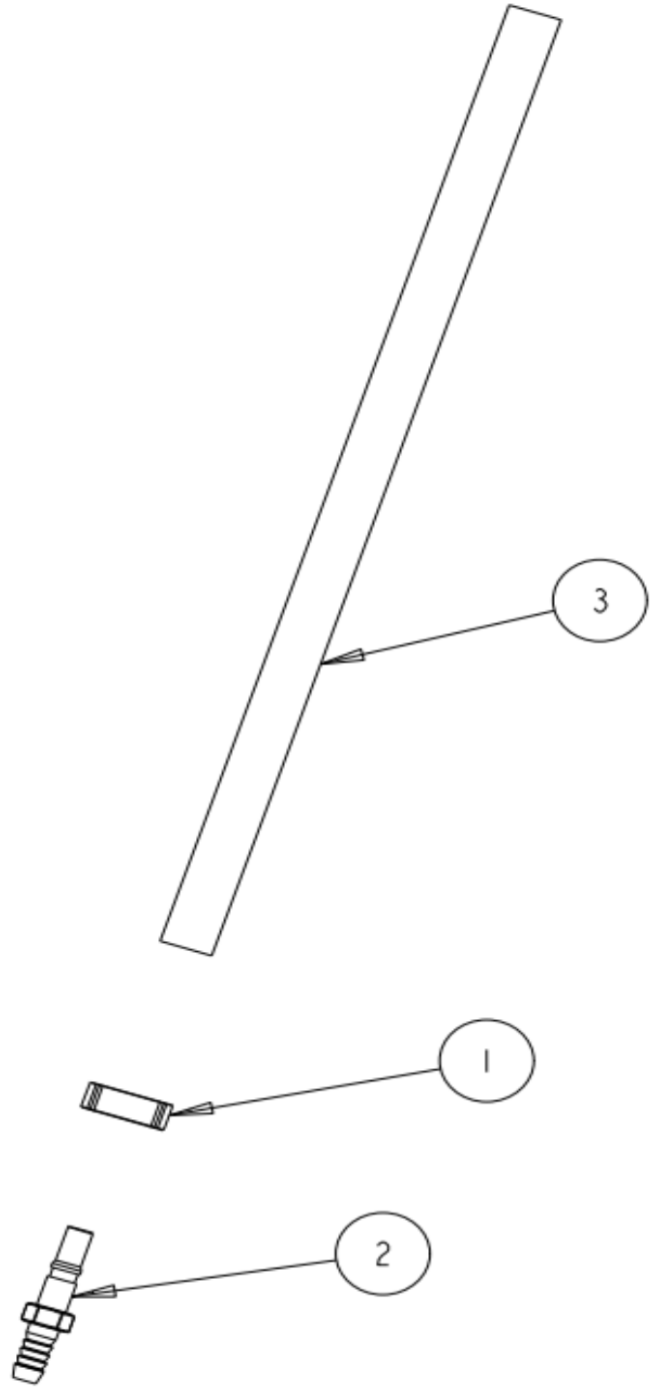
Tacony CFC			
Drawing Number:	05-4780-0000		
Machine	HC250		
Date:	10/07/2023	Description of Change	ECN No.
Drawing Issue:	1		
Modified By:	J. CLARKE		



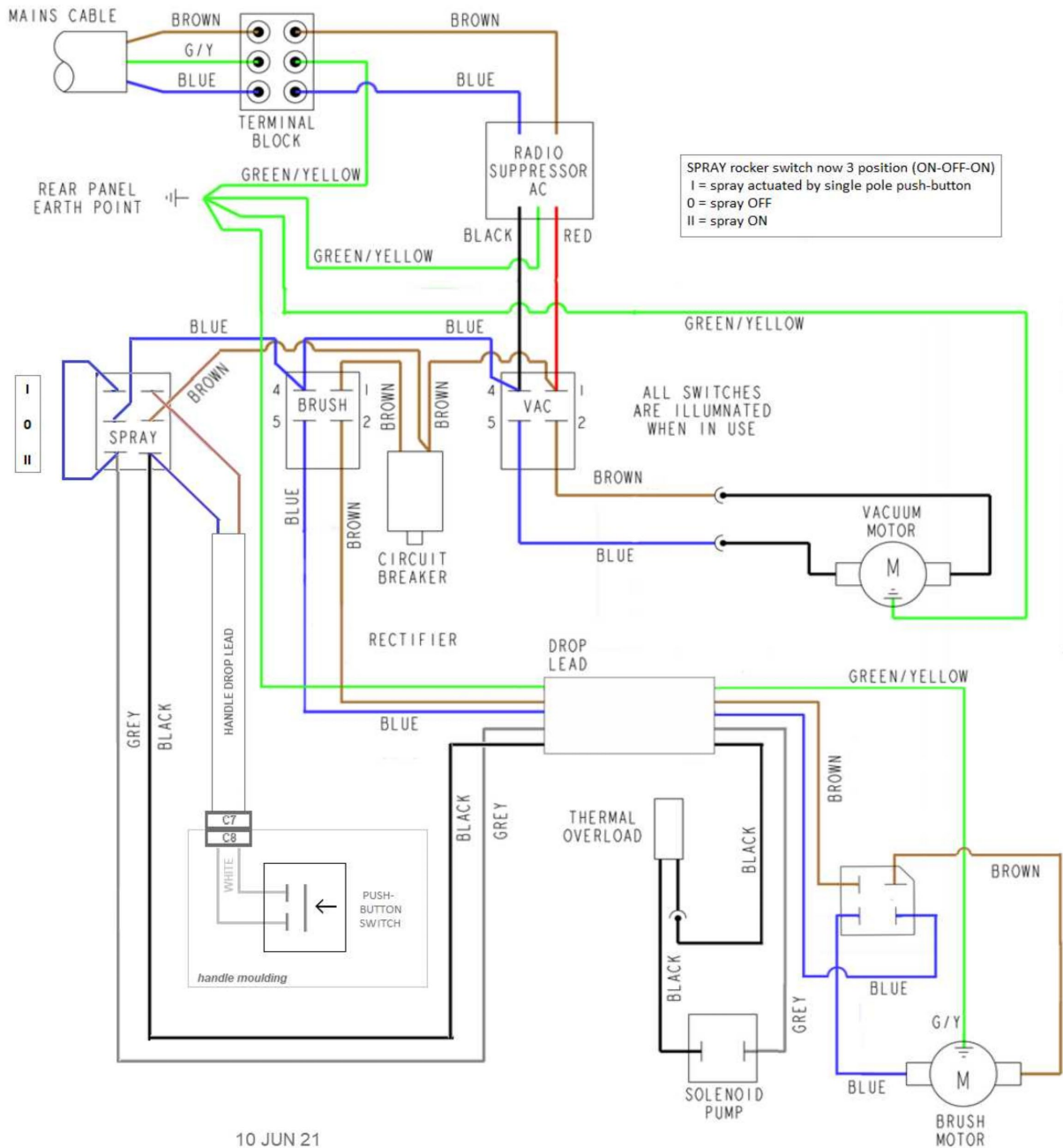
Tacony CFC			
Drawing Number:	05-3423-0000		
Machine	HC250		
Date:	10/07/2023	Description of Change	ECN No.
Drawing Issue:	2		
Modified By:	J. CLARKE		



Tacony CFC			
Drawing Number:	05-3422-0500		
Machine	HC250		
Date:	10/07/2023	Description of Change	ECN No.
Drawing Issue:	1		
Modified By:	J. CLARKE		



Tacony CFC			
Drawing Number:	05-3427-0000		
Machine	HC250		
Date:	10/07/2023	Description of Change	ECN No.
Drawing Issue:	1		
Modified By:	J. CLARKE		



Tacony CFC			
Drawing Number:	09-1011-0000		
Machine	HC250		
Date:	10/07/2023	Description of Change	ECN No.
Drawing Issue:	3		
Modified By:	J. CLARKE		