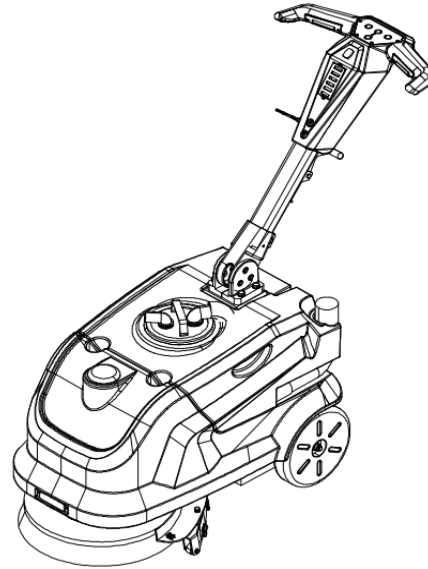


Genjus[®]



— SCHEMATIC DRAWINGS —

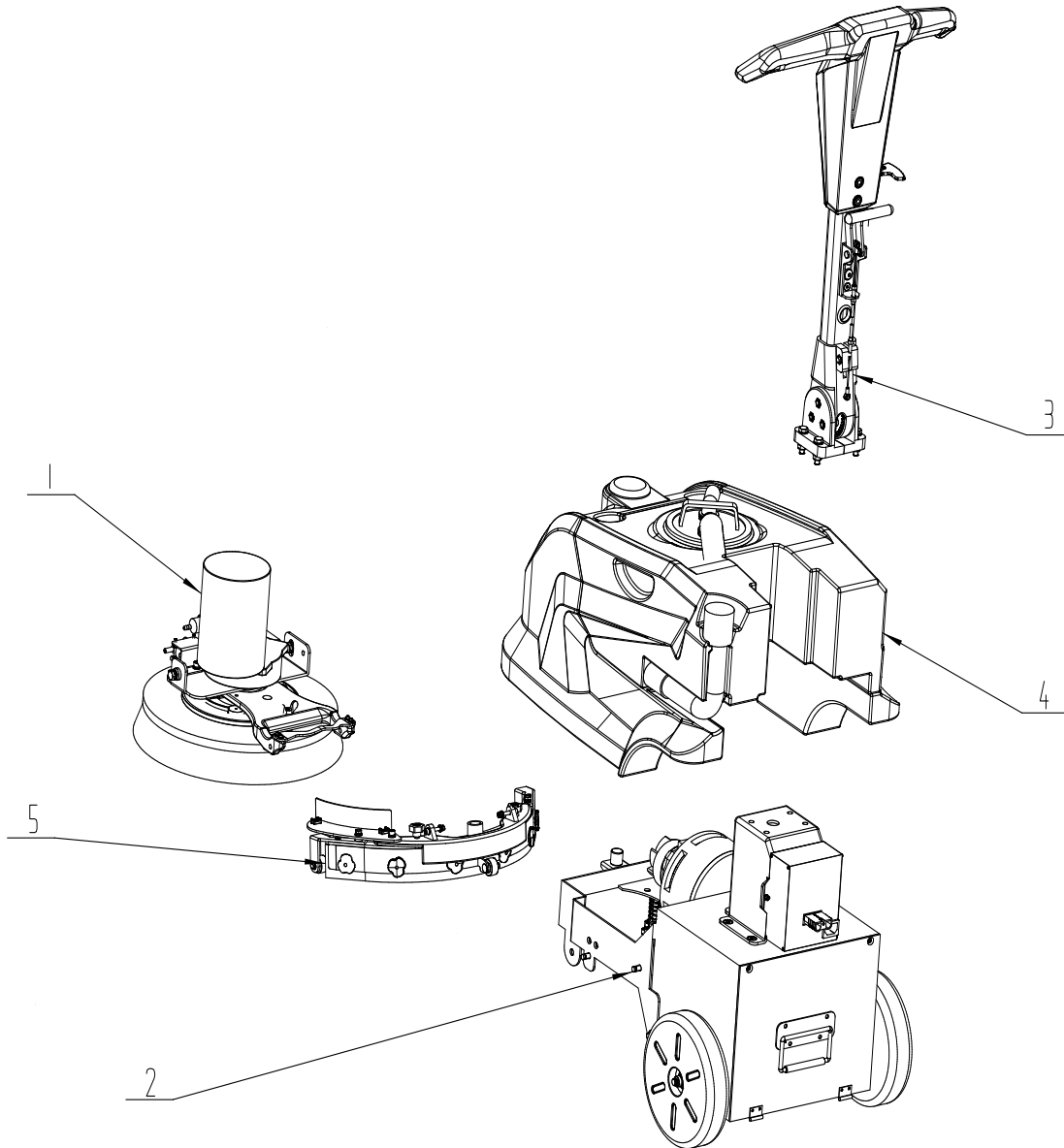


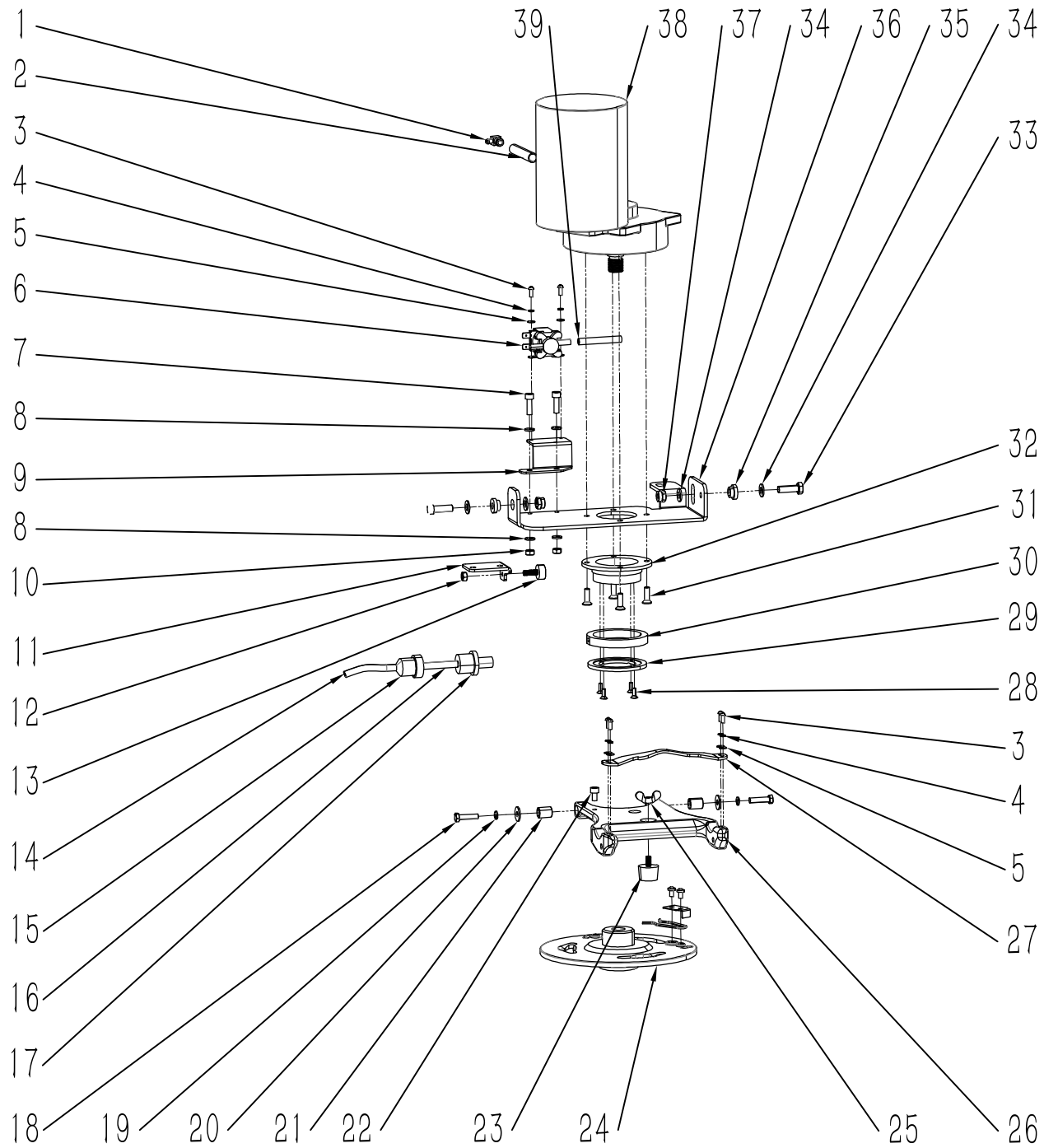
WALK-BEHIND
SCRUBBER DRYER G14B

Issued in Nov.2024
Version : V04

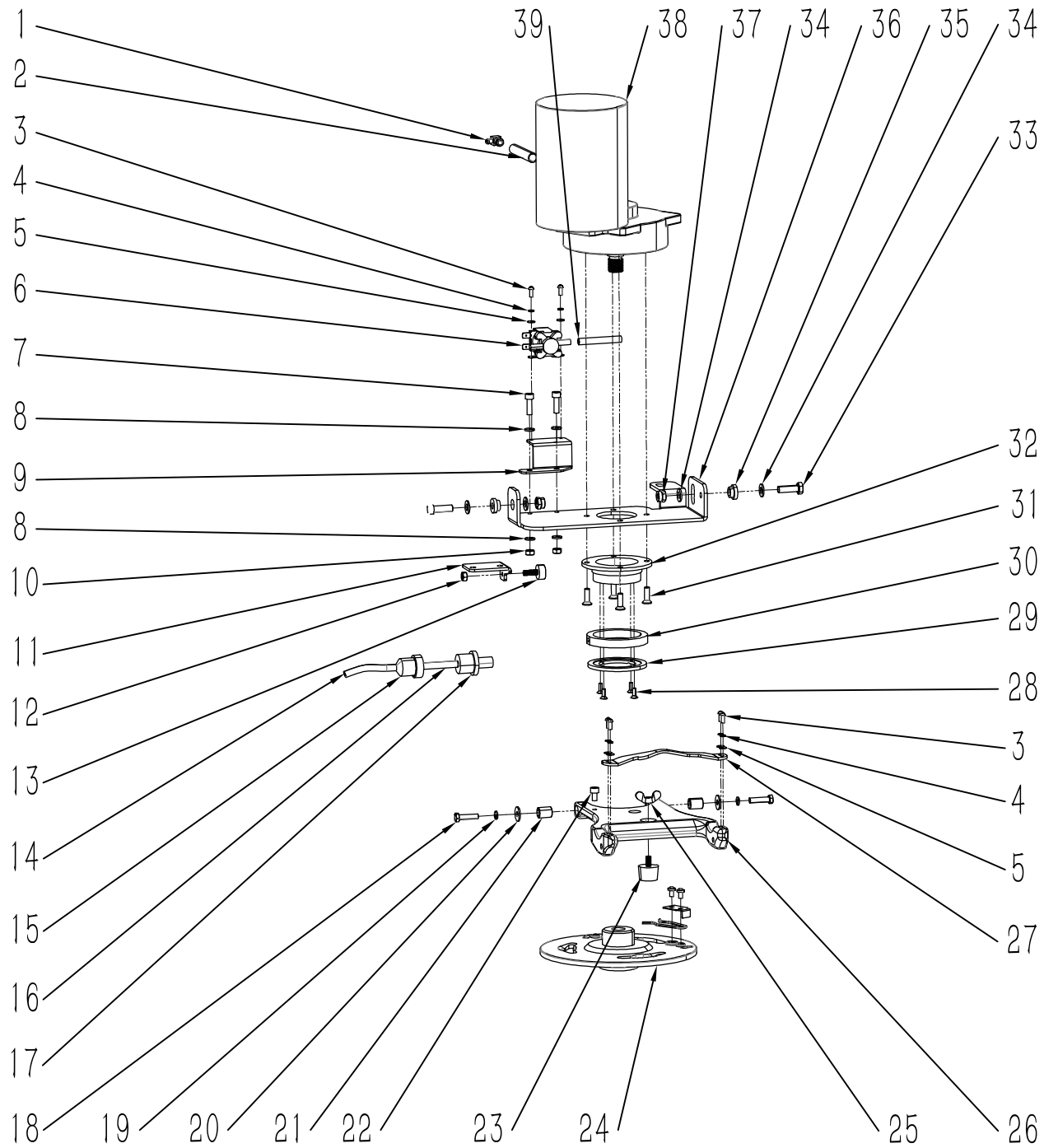
Menu

1. NOSE ASSEMBLY.....1—4
2. FRAME ASSEMBLY.....5—12
3. HANDLE BOX ASSEMBLY.....13—18
4. WATER TANK ASSEMBLY.....19—20
5. SQUEEGEE ASSEMBLY.....21—24
6. ACCESSORIES.....25
7. SELECT ACCESSORIES.....26—27

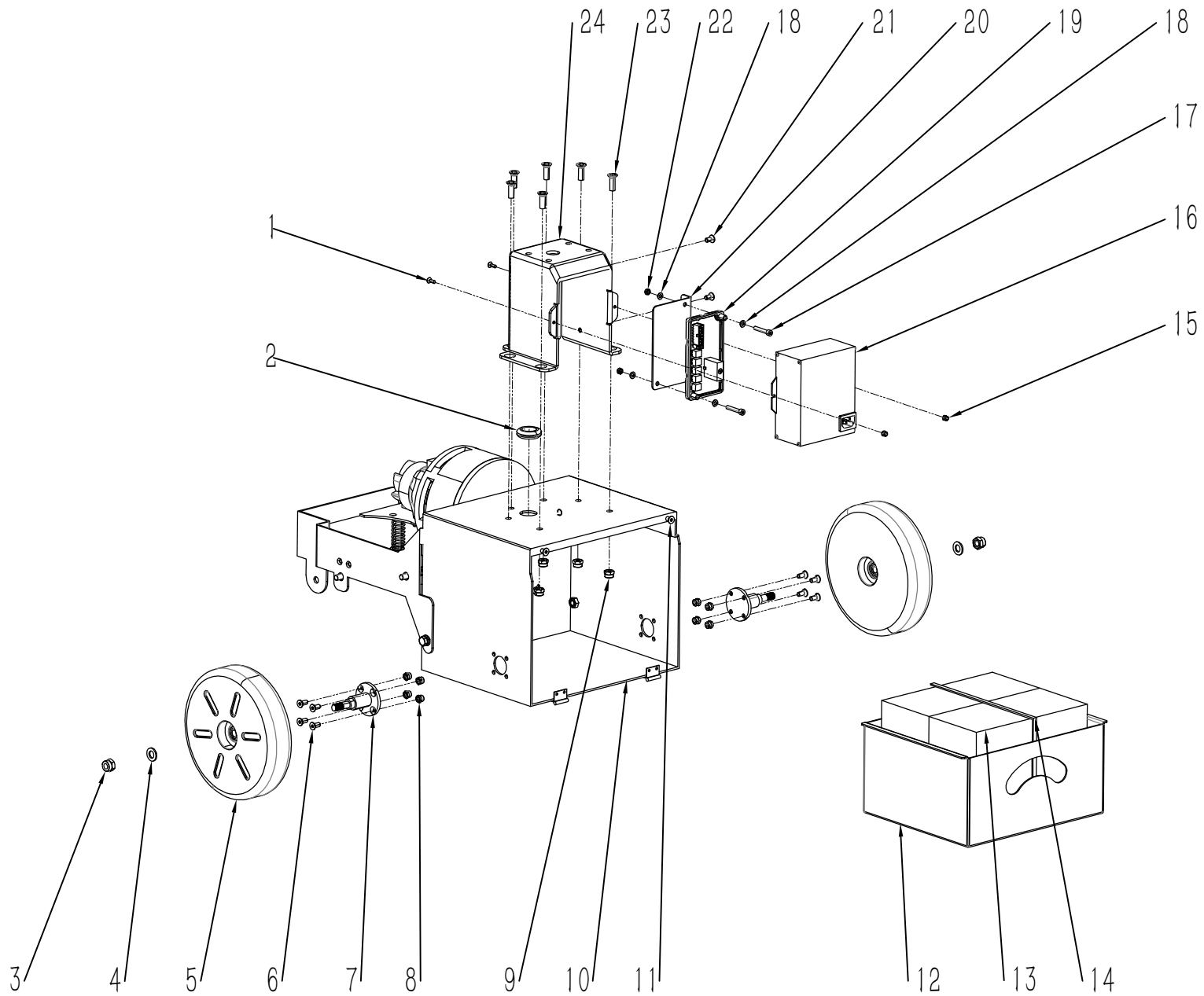




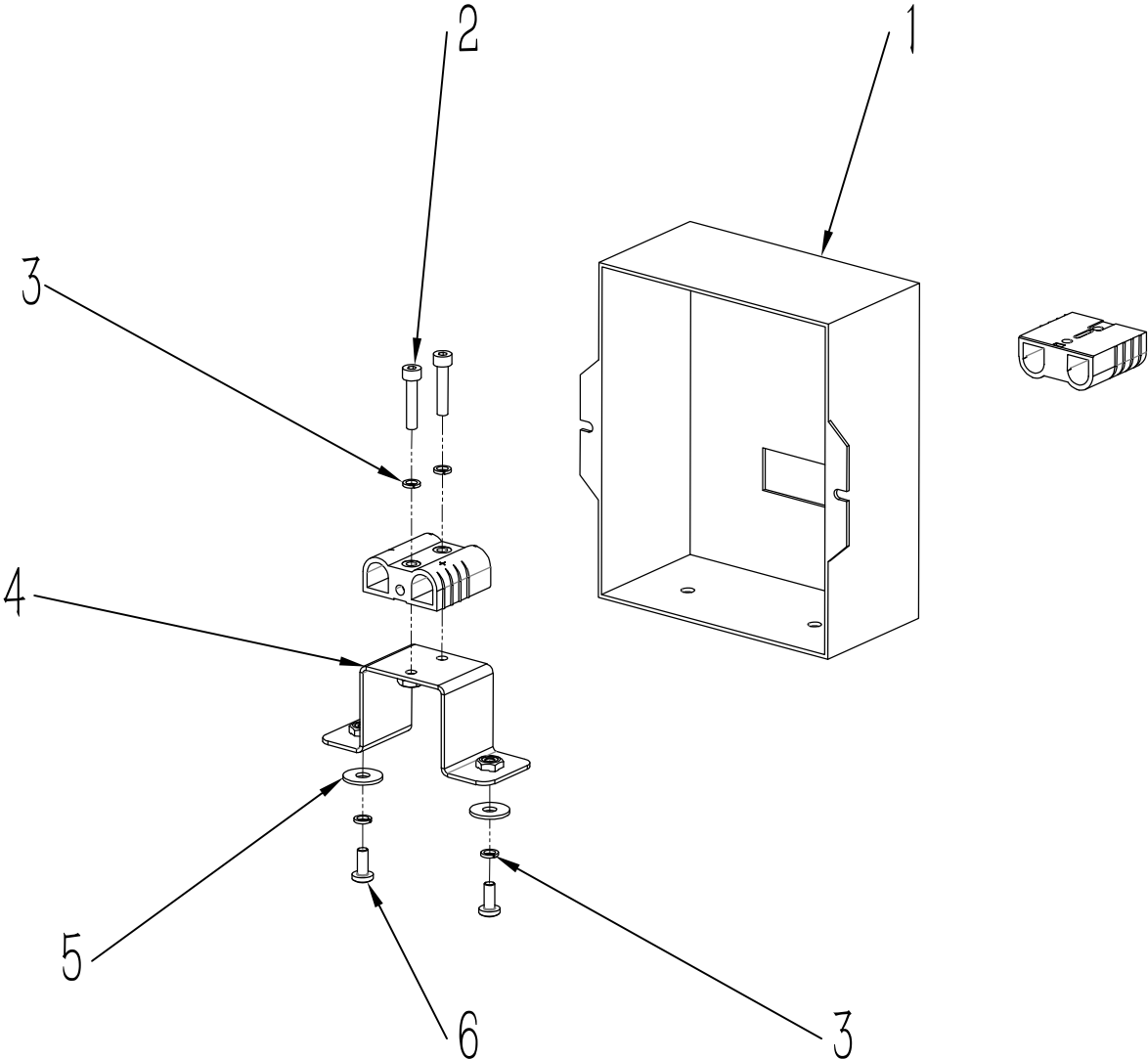
ITEM	P/ N	QTY	DESCRIPTION
1	F020039	1	REDUCER PAGODA CONNECTOR-10-6-T15
2	F050065.6	1	SILICONE HOSE D=14 d=9 L=50
3	N010070	6	SCREW M4x10 A2
4	N040019	6	LOCK WASHER M4
5	N030053	6	WAHSE 4x9x1 ZINC
6	E010005	1	SOLENOID VALVE FPDF-88 24VT15
7	N010057	2	SCREW HM6x20 A2
8	N030024	4	WASHER 6x12x1.6 A2
9	A060033	1	SOLENOID VALVE SUPPORT T15
10	N020005	2	NUT M6 A2
11	A040093	1	LIMIT BLOCKT15
12	N020022	1	NUT M6 ZINC
13	C020280	1	RUBBER DAMPING PAD D18xH8xM6
14	F050064 .7	1	SILICONE HOSE Dx8 dx5 L=40
15	F030085	1	REMOVABLE HEPA FILTER
16	F050064 .8	1	SILICONE HOSE D8xd5 L=210
17	F020098	1	QUICK WATER VALVE (MALE HEAD) 1/4
18	N010020	2	SCREW M6x25 ZINC
19	N040001	2	LOCK WASHER M6 ZINC
20	N030008	2	WASHER 6x18x1.6 ZINC
21	B020039	2	BUSHING 13x8.2x15 T15
22	N010264	1	SCREW M6x10
23	C020222	1	RUBBER DAMPING PAD D25X17
24	W020077	1	LOCKER ASSEMBLY-LEFT
25	N020057	1	WING NUT M6 A2
26	A250005	1	SUPPORT T15
27	A250006	1	PULL DOWNM THE SUPPORT
28	N010047	4	SCREW M4x12 A2



ITEM	P/N	QTY	DESCRIPTION
29	A040090	1	BOTTOM COVERT15
30	A050075	1	GRILLING HEAD BRACKET MOUNTING SLEEVE T15
31	N010016	4	SCREW M6x20 A2
32	A050074	1	CONNECTION SLEEVE T15
33	N010007	2	SCREW M8x25 ZINC
34	N030006	4	WASHER 8x16x1.6 ZINC
35	B020038	2	HEAD INSTALLTION COPPER SLEEVE T15
36	A040191	1	MOTOR MOUNTING PLATE T15
37	N020001	2	LOCK NUT M8ZINC
38	W020234	1	BRUSH MOTOR ASSEMBLY 24V 250WT15B
39	F050064 .9	1	SILICONE HOSE D8xd5 L=55

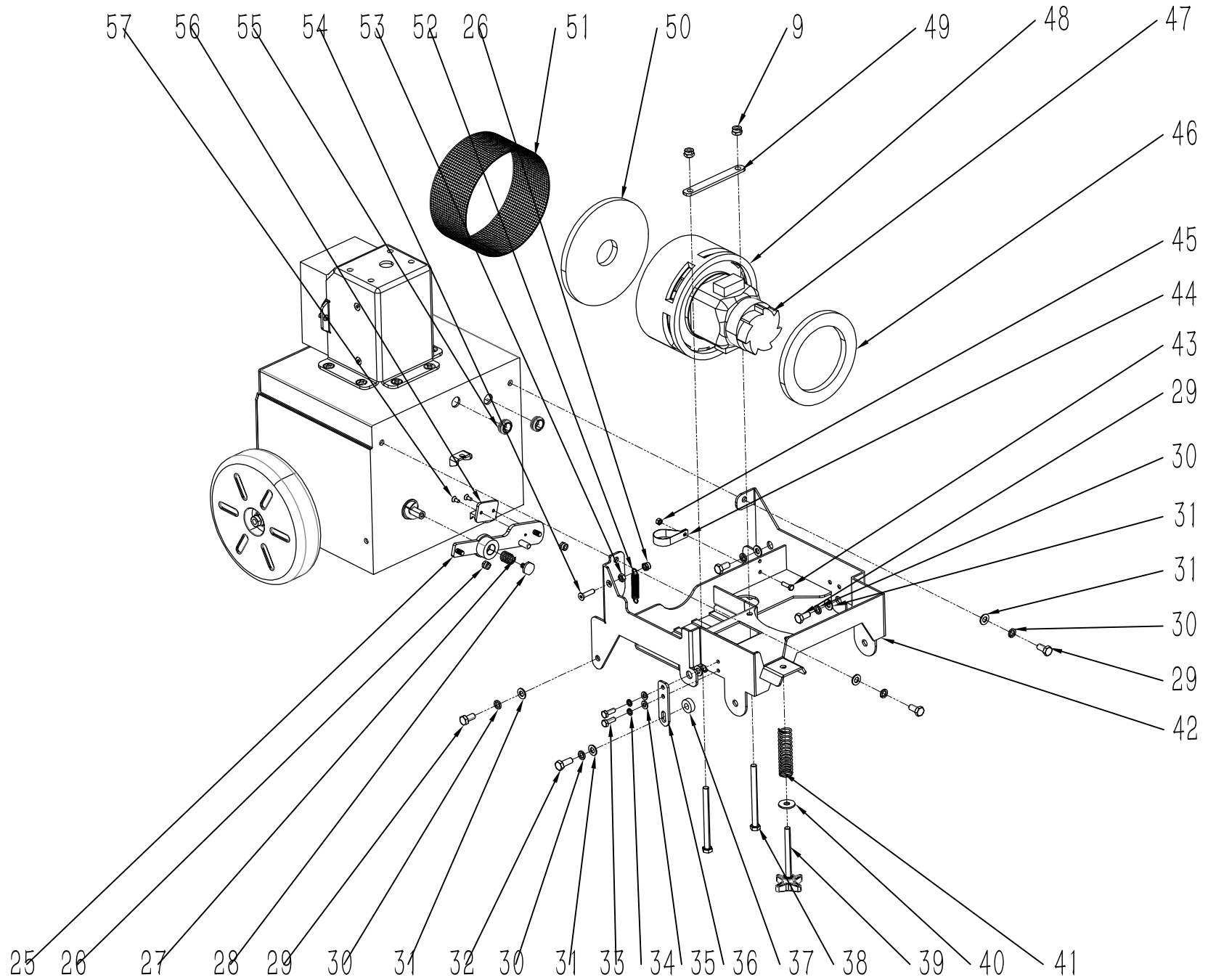


ITEM	P/N	QTY	DESCRIPTION
1	N010299	2	SCREW-M4x12 -A2 BLACK
2	E080118	1	COIL SHEATH 22x3
3	N020002	2	LOCK NUT M10 ZINC
4	N030004	2	WAHSE 10x20x2 ZINC
5	C020221	2	DRIVELESS WHEEL 200x50 T15
6	N010236	8	SCREW M6X14 A2
7	B060287	2	WHEEL AXLE
8	N020006	8	LOCK NUT M6 A2
9	N020001	8	LOCK NUT M8 ZINC
10	A030211	1	BATTERY BASE T15
11	N010255	2	SCREW M6x10 BLACK ZINC
12	A010243	1	BATTERY CASE T16
13	E040142	2	LEAD-ACID BATTERIES 12V 37AH
14	N090044	1	CABLE TIE T45 E
15	N020068	2	LOCK NUT M4 A2 BLACK
16	E050229	1	BATTERY CHARGER 24V 5A
17	N010246	2	CREW M5x30 A2
18	N030016	4	WASHER 5x10x1 A2
19	W020484	1	CONTROLLER ASSEMBLY DALA T15B PLUS
20	A030098	1	CONTROLLER MOUNTING PLATE T1 5
21	N010154	2	SCREW M6x12 A2
22	N020037	2	LOCK NUT M5 A2
23	N010019	6	SCREW M8x18 ZINC
24	A060075	1	GEAR MOUNT T1 5

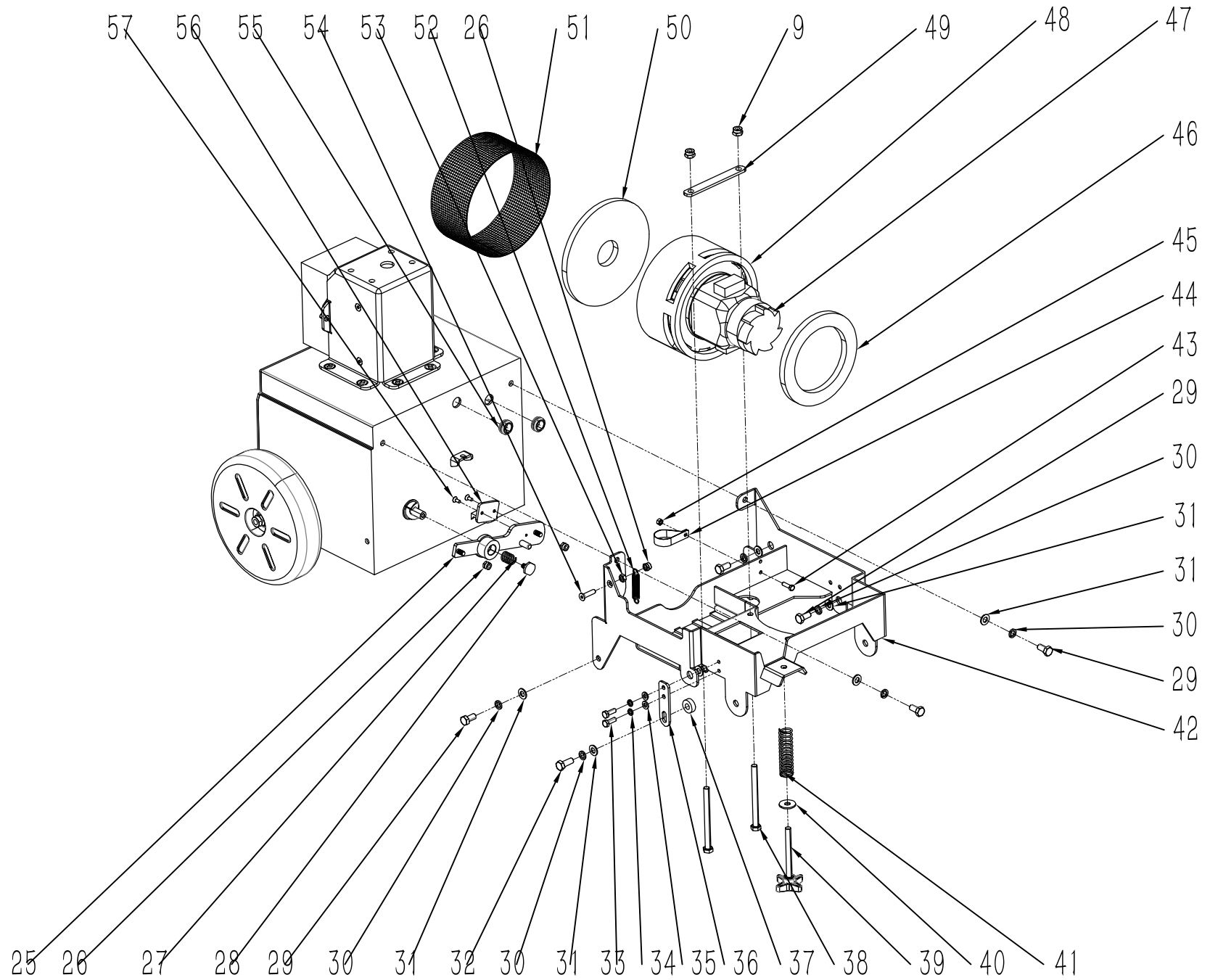


External Charger Assembly-T16B

ITEM	P/ N	QTY	DESCRIPTION
1	A170027	2	CHARGER CASE
2	N010308	2	SCREW HM4x20 A2
3	N040019	4	LOCK WASHER M4
4	A260021	1	CHARGER STAND
5	N030040	2	WASHER 5x15x1 .2 A2
6	N010070	2	SCREW M4x10 A2

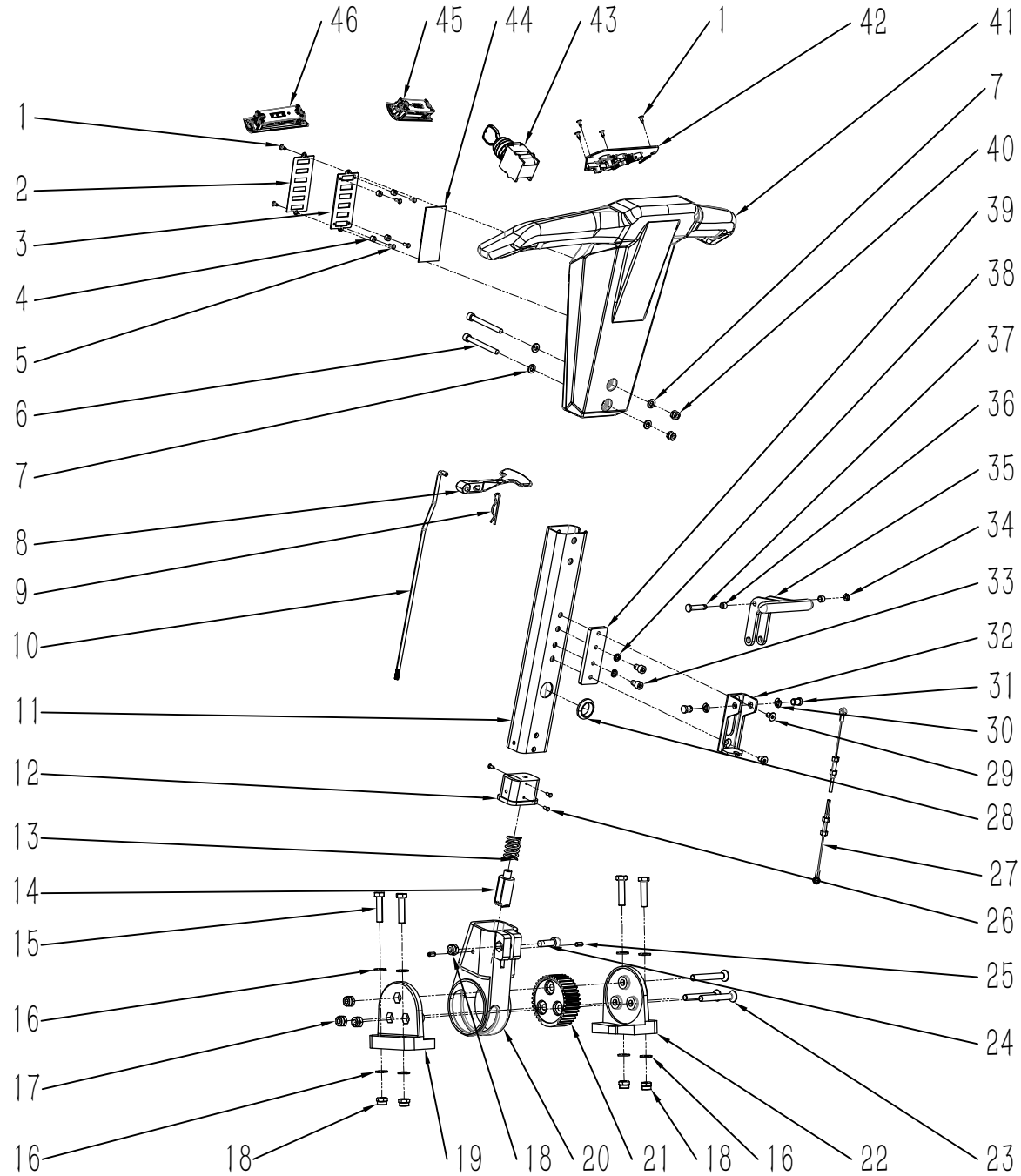


ITEM	P/N	QTY	DESCRIPTION
25	A190020	1	HEAD LIFT BOARD
26	N020012	3	LOCK NUT M6 ZINC
27	B090029	1	PULL AND PRESS SPRING
28	B060294	1	POCKET HEAD POSITIONING SCREWS
29	N010121	7	SCREW M8x16 ZINC
30	N040013	8	LOCK WASHER- M8 ZINC
31	N030006	8	WASHER-8x16x1 .6 ZINC
32	N010034	1	SCREW M8x20 ZINC
33	N010005	2	SCREW M6x16 ZINC
34	N040001	2	LOCK WASHER M6 ZINC
35	N030007	2	WASHER 6x12x1 .6 ZINC
36	A020053	1	HEAD ADJUSTMENT BRACKET BRACKET T15
37	B050073	1	NYLON WASHER 9x20x7
38	N010258	2	SCREW M8x100 A2
39	N100037	1	ADJUSTING HANDLE M8 x 7 0
40	N030028	1	WASHER-8x24x2 A2
41	B070033	1	HEAD COMPRESSION SPRING D2 XD20 X 7 5 T1 5
42	A010235	1	BASE FRAM
43	N010029	1	SCREW M5x16 A2
44	N080057	1	CLAMP
45	N020046	1	NUT M5 A2
46	C020463	1	MOTOR SILENCER COTTON-DOWN
47	W020235	1	VACUUM MOTOR ASSEMBLY 24V 25 0 W T15
48	C020462	1	MOTOR SILENCER COTTON-MEDIUM
49	A020052	1	SUCTION SUPPORT T15
50	C020461	1	MOTOR SILENCER COTTON-UP
51	N150158	1	DUSTPROOF NET
52	B060012	1	STEEL BAR SPRING



ITEM	P/N	QTY	DESCRIPTION
53	N020005	1	NUT M6 A2
54	N010017	1	SCREW M8x 18 ZINC BLACK
55	E080121	2	COIL SHEATH 14x2 .5 T15
56	A120020	1	LIFTING PLATE PAD
57	N010240	2	SCREW M4X10 BLACK ZINC

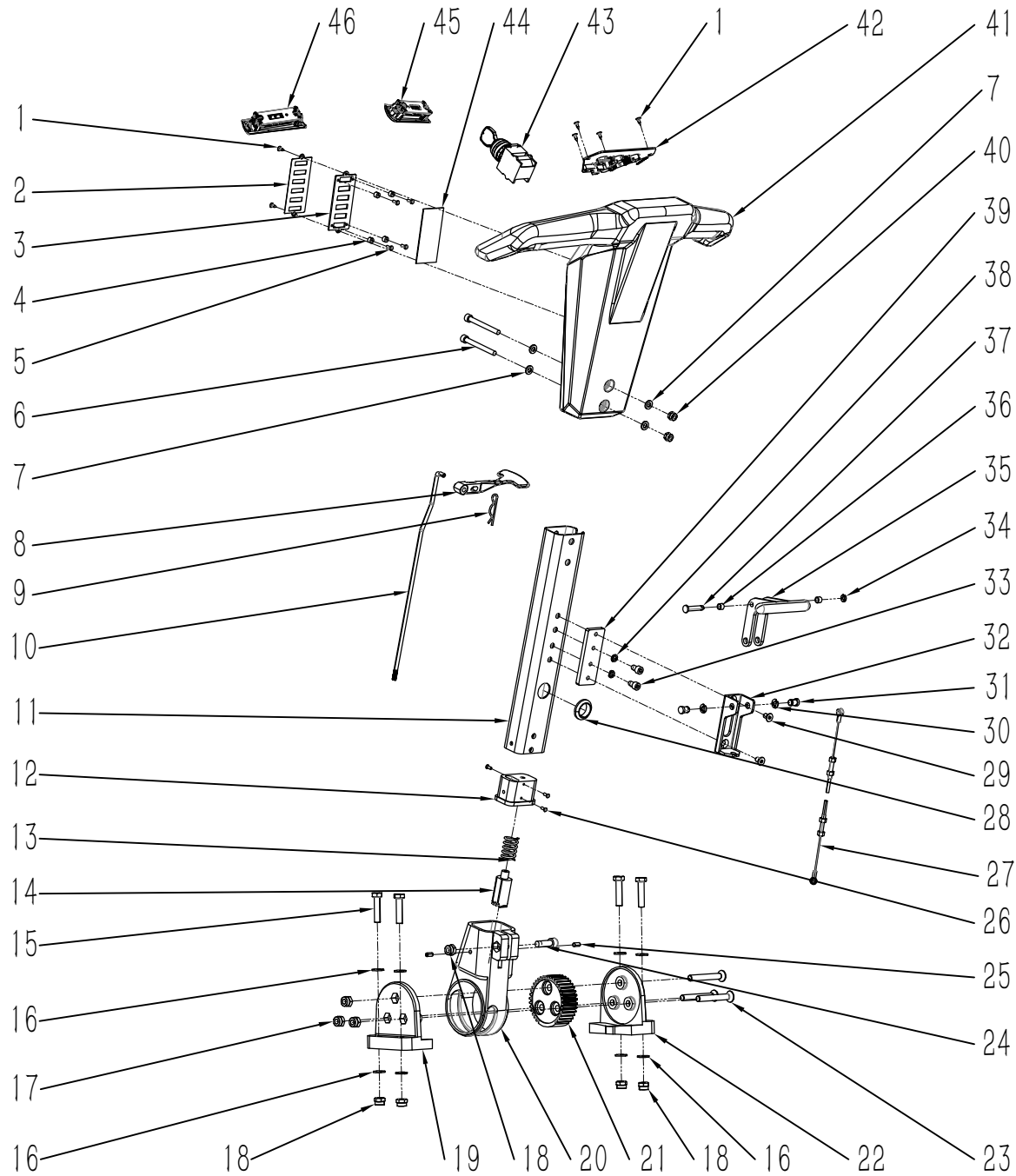
European version



European version

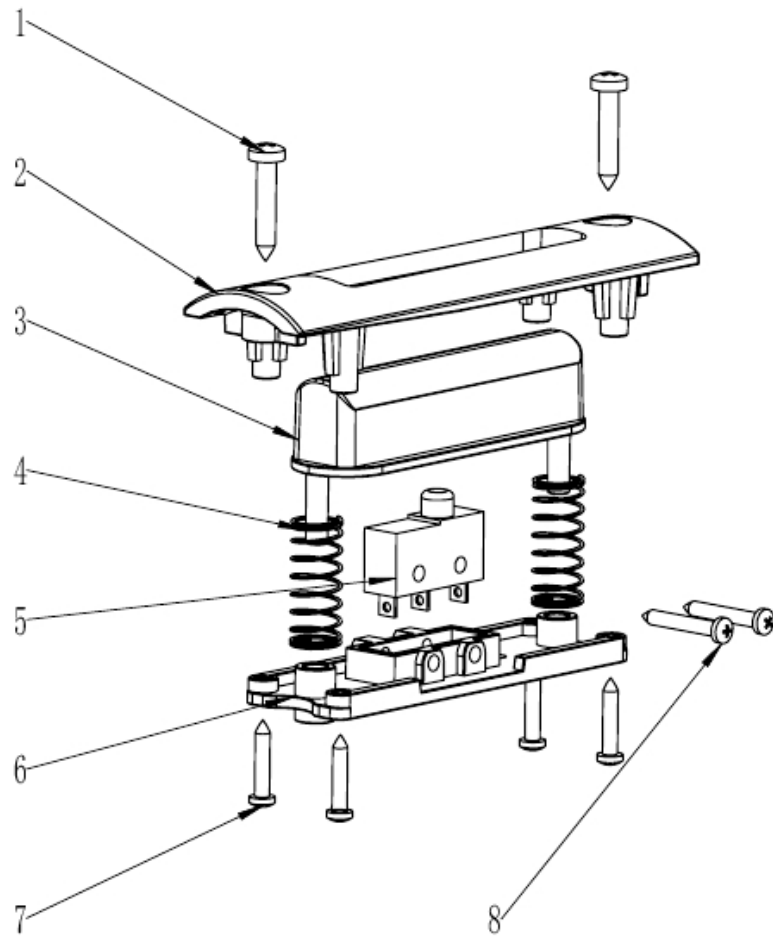
ITEM	P/N	QTY	DESCRIPTION
1	N010239	6	SCREW ST2 .9X10 A2 BLACK
2	C040281	1	POWER DISPLAY BOARD SURFACE STICKER T15
3	A030097	1	POWER LIGHT MOUNTING PLATE T15
4	C030067	4	SEPARATOR 7x3x5 T15
5	N010257	4	SCREW M3x8 A2
6	N010262	2	SCREW M6x60 A2
7	N030024	4	WASHER 6x12x1 .6 A2
8	D010038	1	ANGLE ADJUSTMENT DIAL T15
9	N100035	1	BOLT TYPE R
10	B060162	1	ANGLE ADJUSTMENT LEVER T15
11	B060285	1	PUTTER T16
12	B130010	1	GEAR HOLDER
13	B090028	1	GEAR COMPRESSION SPRING
14	B050114	1	ANGLE ADJUSTMENT PINION
15	N010008	4	SCREW M8x3.5 ZINC
16	N030006	8	WASHER 8x16x1 .6 ZINC
17	N020024	4	LOCK NUT M8 A2
18	N020001	4	LOCK NUT M8 ZINC
19	B130013	1	LOWER GEAR MOUNTING SEAT-R
20	B130011	1	ALUMINUM ROD SEAT
21	B050117	1	ANGLE ADJUSTMENT GESR
22	B130012	1	LOWER GEAR MOUNTING SEAT-L
23	N010074	3	HEXAGONAL COUNTERSUNK HEAD BOLT M8x 6 0
24	N010283	1	SCREW M8x25 A2
25	N010433	2	SCREW M5x12 A2
26	N010103	3	SCREW M3x8 A2
27	B060278	1	PULL THE STRINGS
28	N090130	1	HOLE SHEATH ϕ 20

European version

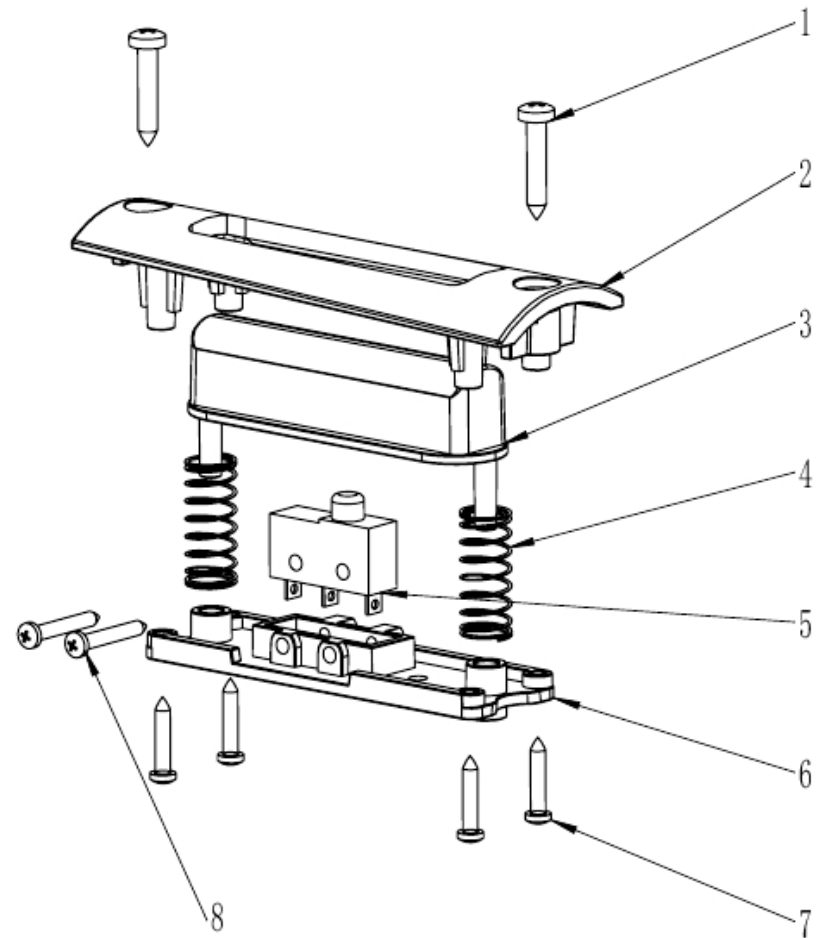


European version

ITEM	P/N	QTY	DESCRIPTION
29	N010255	2	SCREW M6x10 A2
30	N080055	2	TYPE E CIRCLIP ϕ 6
31	B070082	2	HANDLE DOWEL
32	A250008	1	HANDLE BRACKET
33	N010264	2	ROUND HEAD HEXAGON M6x 10
34	N080056	1	TYPE E CIRCLIP ϕ 5
35	A270005	1	PULL HANDLE
36	B010133	2	NYLON SLEEVE ϕ 8x ϕ 6.2x5 .5
37	B060286	1	BOBBIN
38	N040001	2	SPRING WASHER ϕ 6
39	A170019	1	EMBEDDED IRON
40	N020006	2	LOCK NUT M6 A2
41	C040538	1	HANDLE BOX HAS DRIVE T16B Deluxe UK007
42	W020420	1	CONTROL PANEL ASSEMBLY- T 1 5 B
43	W020013	1	KEY SWITCH ASSEMBLY
44	E030041	1	POWER DISPLAY BOARD T1 5
45	W030113	1	DRIVE SWITCH WIDGET RIGHT
46	W030112	1	DRIVE SWITCH WIDGET LEFT
47	E080241	1	HARNES T16 B



W030113



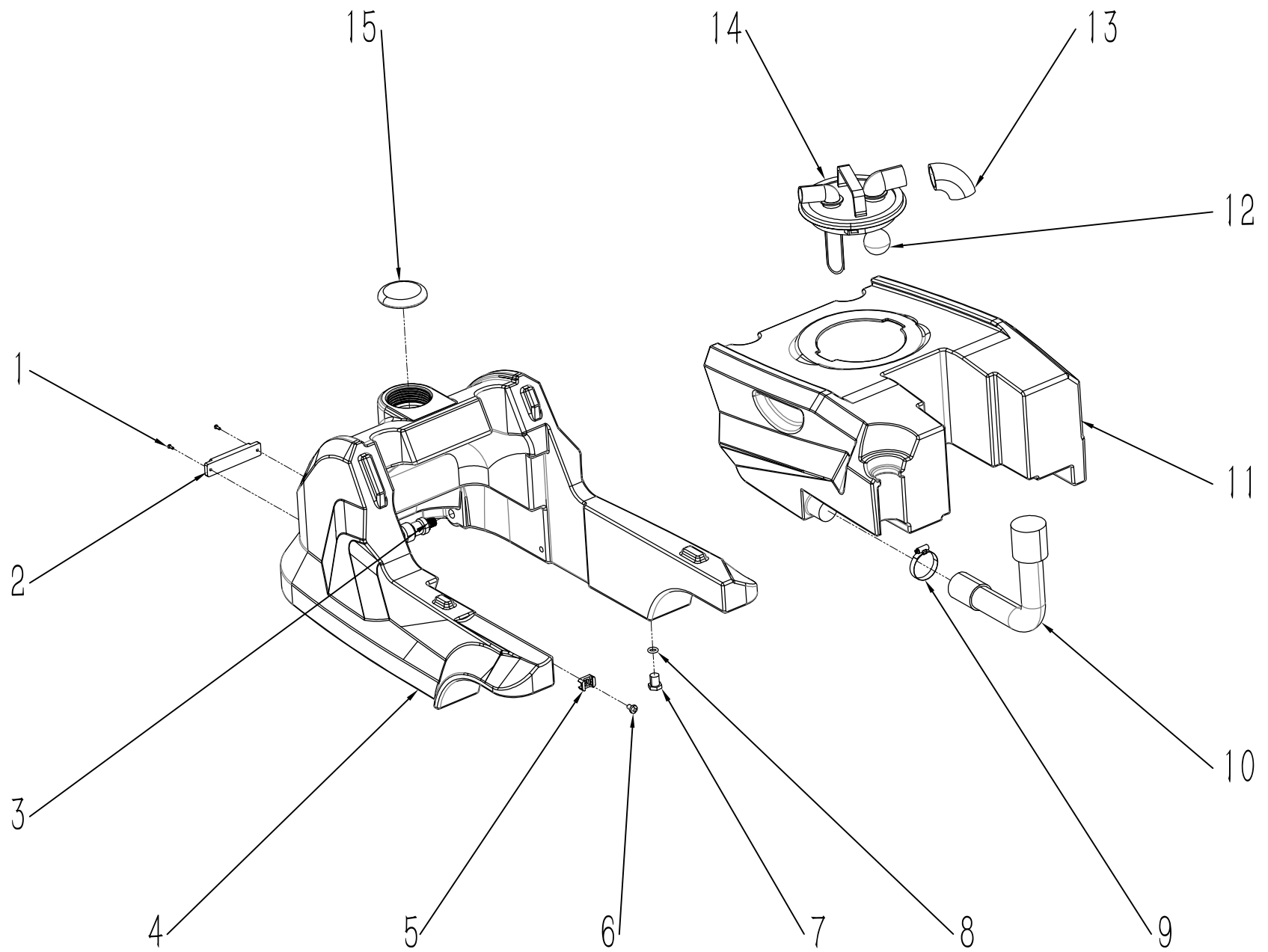
W030112 |

W030113

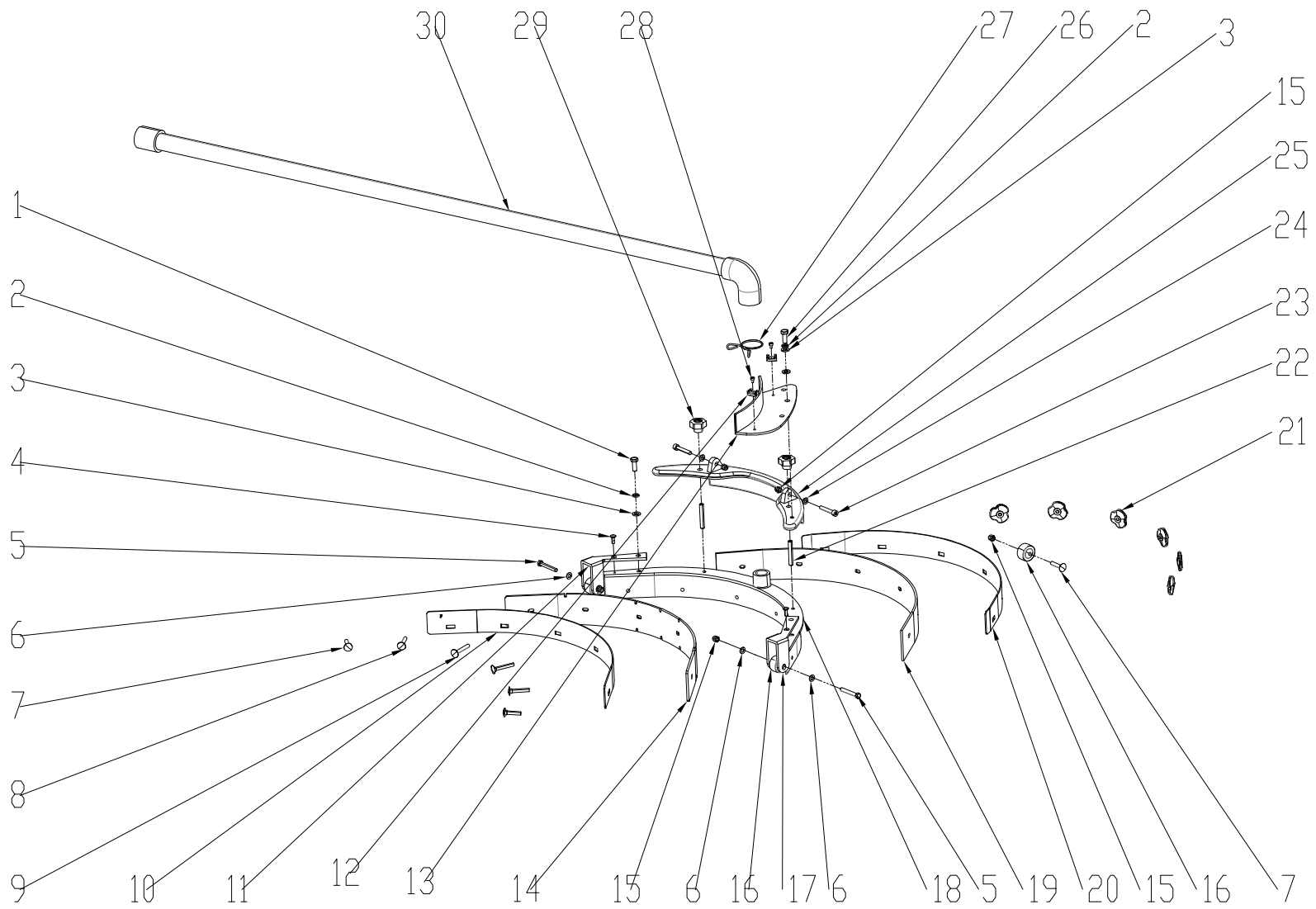
ITEM	P/N	QTY	DESCRIPTION
1	N010320	2	SCREW ST3 .0x16 BLACK ZINC
2	C020303	1	DRIVE SWITCH PANEL RIGHT
3	C020300	1	DRIVE SWITCH BUTTON
4	B070037	2	SPRING WIRE DIAMETER0.5 OUTER DIAMETER 8 LENGTH 20 -6 5 STEEL- ZINC
5	E020075	1	MUSHROOM HEAD MICRO SWITCH 5A 125 250V
6	C020301	1	DRIVE SWITCH BASE
7	N010318	4	SCREW ST2 .3x12 BLACK A2
8	N010319	2	SCREW ST2 .3x16 BLACK A2

W030112

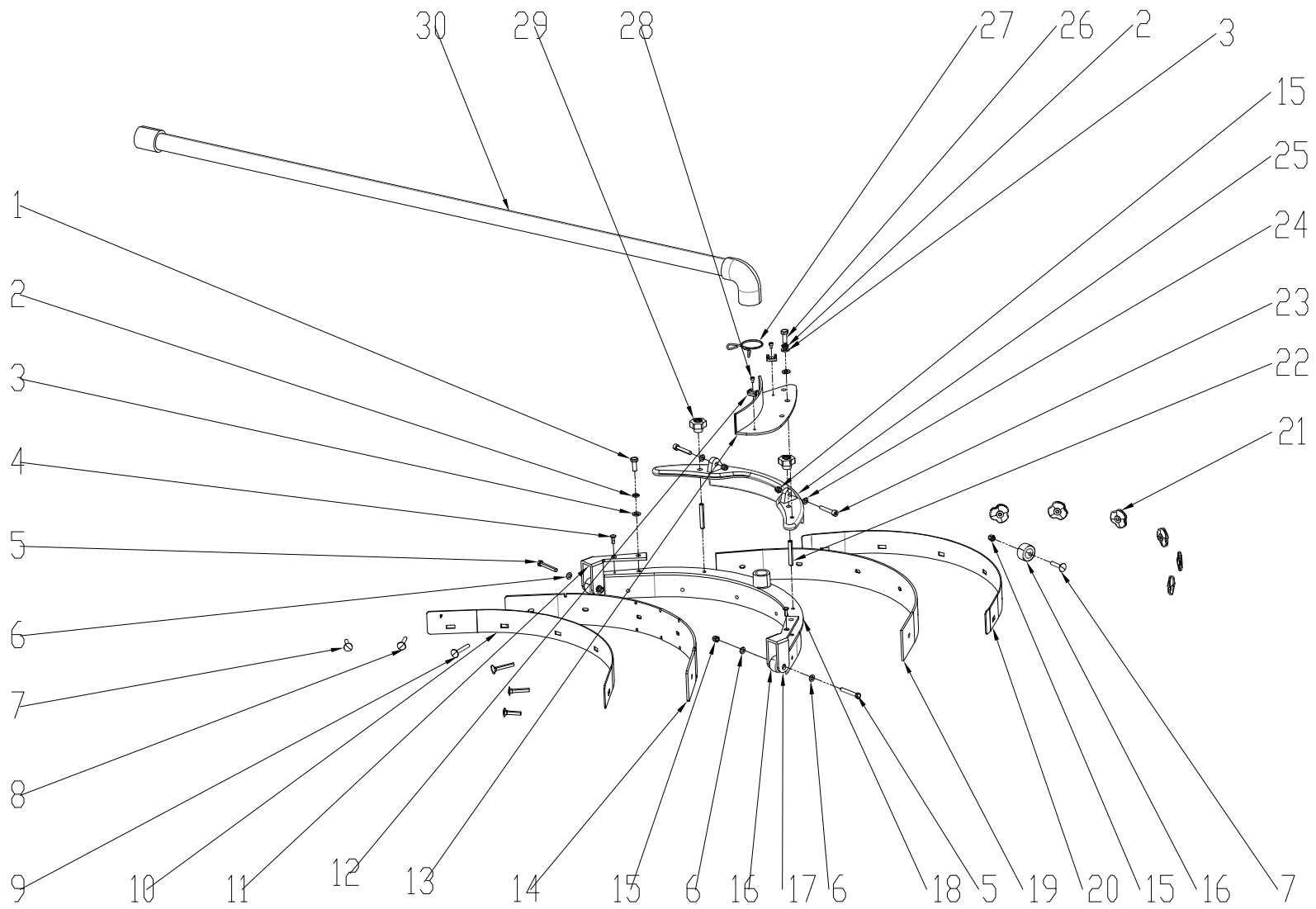
ITEM	P/N	QTY	DESCRIPTION
1	N010320	2	SCREW ST3 .0x16 BLACK ZINC
2	C020302	1	DRIVE SWITCH PANEL LEFT
3	C020300	1	DRIVE SWITCH BUTTON
4	B070037	2	SPRING WIRE DIAMETER0.5 OUTER DIAMETER 8 LENGTH 20 -6 5 STEEL- ZINC
5	E020075	1	MUSHROOM HEAD MICRO SWITCH 5A 125 250V
6	C020301	1	DRIVE SWITCH BASE
7	N010318	4	SCREW ST2 .3x12 BLACK A2
8	N010319	2	SCREW ST2 .3x16 BLACK A2



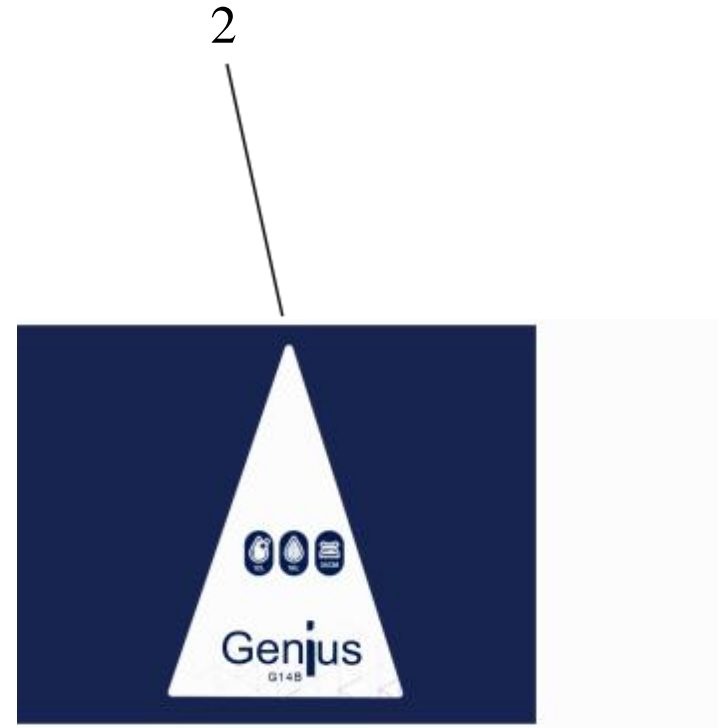
ITEM	P/N	QTY	DESCRIPTION
1	N010257	2	SCREW M3x8 A2
2	W020566	1	FLDDDLIGHT
3	F020099	1	QUICK WATER VALVE (FEMALE HEAD) 1/4
4	C010894	1	SOLUTION TANK-T16 B UK007 BLUE
5	N090002	1	FIXED SEAT 23X16
6	N010086	1	SCREW M5x10 A2
7	B020025	1	3/8" CAP
8	N090011	1	O- RING
9	F050077	1	HOSE CLAMP
10	F080002	1	DRAINAGE PIPE
11	C010895	1	RECOVERY TANK-T16B UK007 BLUE
12	C030074	1	RUBBER GASKET D33xD26x3.5x10
13	F060024	1	SUCTION PIPE
14	C020218	1	SUCTION BODY
15	C020048	1	THREADED COVER Ø76



ITEM	P/ N	QTY	DESCRIPTION
1	N010182	1	SCREW M6x16 A2
2	N040011	2	LOCK WASHER M6 A2
3	N030024	3	WASHER 6x12x1 .6 A2
4	N010047	2	SCREW M4x12 A2
5	N010229	2	SCREW M5x35 A2
6	N030016	4	WASHER 5x1 0x 1
7	N010218	3	SCREW M5x25 A2
8	N010217	2	SCREW M5x30 A2
9	N010219	2	SCREW M5x35 A2
10	A010191	1	FRONT FIXING PLATE T15
11	D010039	1	SQUEEGEE BODY CHANGED RIGHT T15
12	N090073	2	14 . 6x10 SMALL WIRE BUCKLE T15
13	D010037	1	SEWAGE PIPE FIXING PLATE T15
14	C030064	1	FRONT SQUEEGE BLADE RUBBER T15
15	N020037	5	LOCK NUT M5 A2
16	C020223	3	GRILLED DIRECTIONAL CASTERS T15
17	D010036	1	SQUEEGEE BODY CHANGED LEFT T15
18	D010035	1	SQUEEGEE BODY T15
19	C030065	1	REAR SQUEEGE BLADE RUBBER T15
20	A010192	1	REAR FIXING PLATE T15
21	N020064	6	NUT M5
22	N010015	2	SCREW M6x40 A2
23	N010246	2	SCREW M5x30 A2
24	N030031	2	WASHER 5x 10x1 ZINC
25	B060161	1	GRILLED WEIGHT T1 5
26	N010182	1	SCREW M6x16 A2



ITEM	P/ N	QTY	DESCRIPTION
27	B060173	1	SINGLE STEEL WIRE CIRCLIP INNER 3 1MM WIRE 2MM COLOR ZINC PLATING
28	N010245	2	SCREW M3x5 BLACK
29	N020007	2	NUT M6
30	F060022	1	SUCTION HOSE T1 5



ITEM	P/ N	QTY	DESCRIPTION
1	P060330	1	FRONT LABEL-T16B-UK007
2	P060328	1	SIDE LABEL T16B UK007
3	P080230	1	NAMEPLATE-T16B- UK007
4	P050017	1	TEST REPORT UK007
5	P010286	1	ENGLISH USER MANUAL-T16B-UK007
6	M010225	1	CARTON-T16
7	M010223	1	CARTON BOX COVER T16
8	M010014	1	PLASTIC PACKAGE BAG 34 0 x 2 4 0 mm
9	M020036	4	BATTEN 40x40x640 T15
10	M020007	12	ANGLE BEAD 50x50x100
11	HC10005	50	P NAIL
12	HC10017	8	SEALING BOX NAIL 35 mmx18 mm
13	M010015	1	PLASTIC PACKAGE BAG 1400x700x1000
14	M020082	1	WOOD PALLET T1 6
15	M020008	4	TRIANGLE BLOCK 50x50x100
16	M020024	2	TRIANGLE BLOCK 50x50x70
17	N010159	4	SELF TAPPING SCREW ST4x25 BLACK
18	N010160	10	SELF TAPPING SCREW ST4x40 BLACK
19	N030022	4	WASHER 6x18x1 .6 A2
20	N100056	1	HEXAGONAL WRENCH 4MM
21	M010098	1	BRUSH GUARD FOAM
22	M010100	1	VACUUM COTTON 41 0 X 2 4 5 X 20 T15
23	C040306	1	TRANSIT WARNING LABEL ENGLISH T15
24	N090044	1	CABLE TIE T45 E
25	C040291	1	SCREEN PRINTING BOARD BLUE T15

Optional Accessories

ITEM	P/ N	QTY	DESCRIPTION
1	N150019	1	SCRUBBING- 1 3 "
2	N150030	1	CLEANINGPAD-13 " -RED
3	N150031	1	CLEANINGPAD-13 " -WHITE
4	N150032	1	CLEANINGPAD-13 " -BLACK
5	N150002PT	1	SCRUBBING-13 " -PPL0 .6
6	N150002T	1	SCRUBBING-13 " -PP0 .6
7	N150005T	1	DIAL-13 "
8	N150007T	1	SCRUBBING-13 " -PP0 .28
9	N150058T	1	WATERLOCKINGBRUSHTRAY-13 "